

Taymor | PRODUCT SPECIFICATIONS

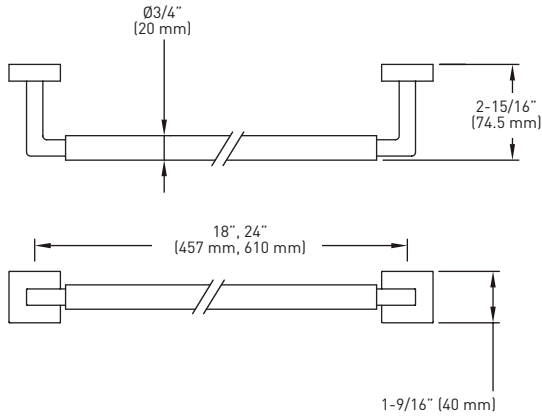
SUITE AND SIMPLE®

FEATURES

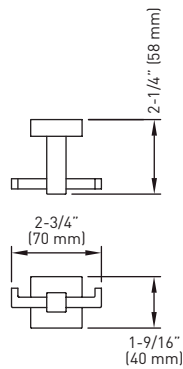
- INCLUDES SOLID ZINC DIE CAST MOUNTING PLATES: 1-7/16" x 5/8" [37 mm x 16 mm]; NYLON ANCHORS AND STEEL PHILLIPS HEAD SCREWS: #8 x 1-3/8" [35 mm]
- BRASS CONSTRUCTION



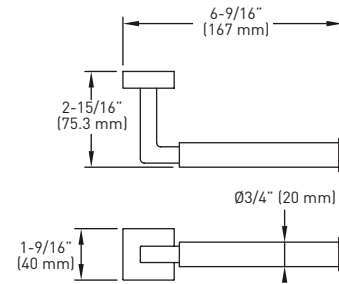
TOWEL BAR



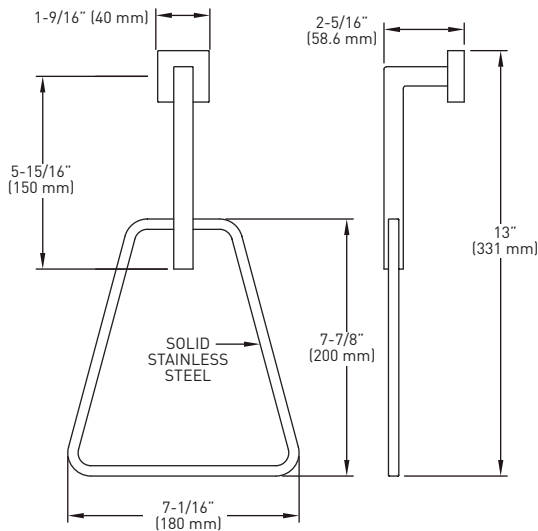
DOUBLE ROBE HOOK



PAPER HOLDER (RIGHT HAND INSTALLATION ONLY)

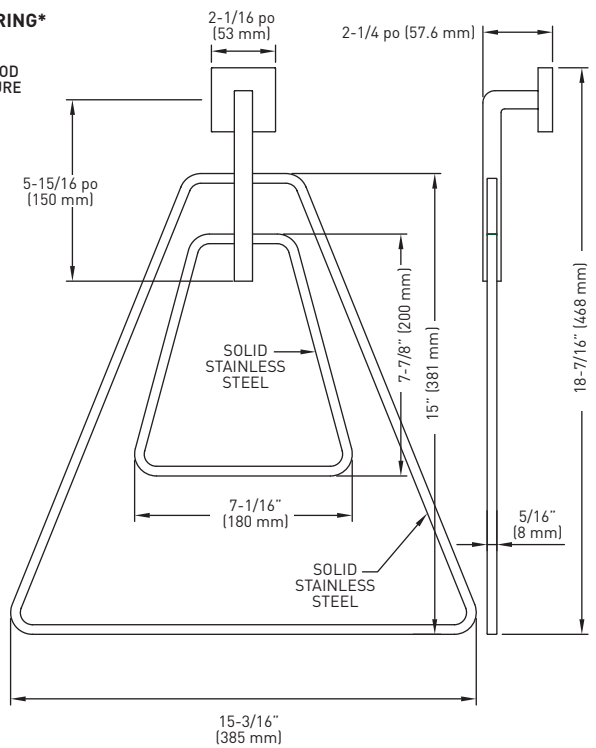


TOWEL RING



DOUBLE TOWEL RING*

* PRODUCT MUST BE MOUNTED INTO WOOD STUD OR WOOD BACKING FOR SECURE INSTALLATION



MEASUREMENTS SUBJECT TO A 3% VARIANCE

MEASUREMENTS ARE FOR REFERENCE ONLY. TAYMOR RESERVES THE RIGHT TO CHANGE THE PRODUCT SPECS WITHOUT NOTICE. FOR PRODUCT WARRANTY, PLEASE VISIT TAYMOR WEBSITE FOR DETAILS

BUILDER PACK	MATTE BLACK 19	POLISHED CHROME 26	MATERIAL	CASE QTY
18" TOWEL BAR	04-32918BLK	04-32918	BRASS	10
24" TOWEL BAR	04-32924BLK	04-32924	BRASS	10
DOUBLE ROBE HOOK	04-32902BLK	04-32902	BRASS	10
TOWEL RING	04-32904BLK	04-32904	BRASS/ STAINLESS STEEL	10
*DOUBLE TOWEL RING	04-32907DBLK	04-32907D	BRASS/ STAINLESS STEEL	4
PAPER HOLDER	04-32948BLK	04-32948	BRASS	10

*DOUBLE TOWEL RINGS

SPECIAL ORDER: This product is available for project orders - minimum quantities and lead times apply. For quotes or assistance for multi-family residential projects, please contact our Customer Service team.
CUSTOMER SERVICE WEST 1-800-267-4774 | **EAST** 1-800-387-7064

