

### FEATURES

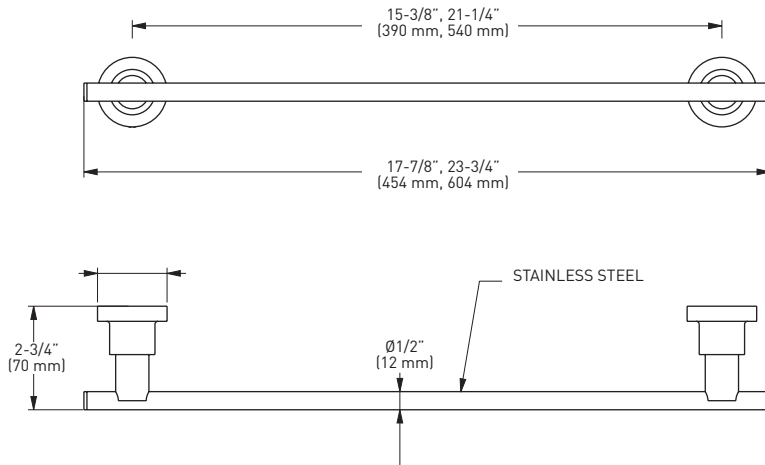
- INCLUDES MOUNTING PLATES: 1" x 1-3/8" (26 mm x 35 mm); NYLON ANCHORS AND STEEL PHILLIPS HEAD SCREWS: #8 x 1-3/8" (35 mm)
- SOLID ZINC DIE-CAST CONSTRUCTION (POSTS)



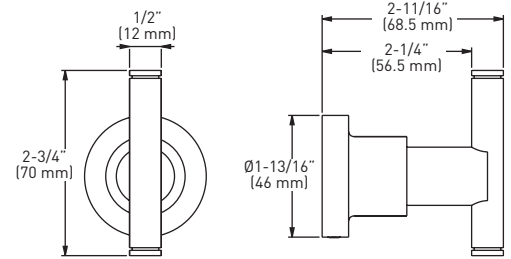
LIMITED LIFETIME WARRANTY



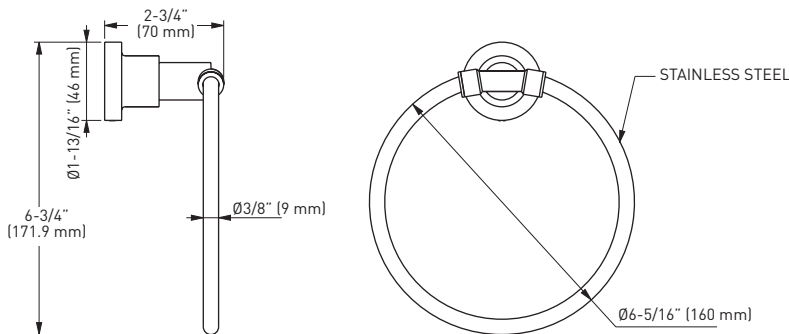
### TOWEL BAR



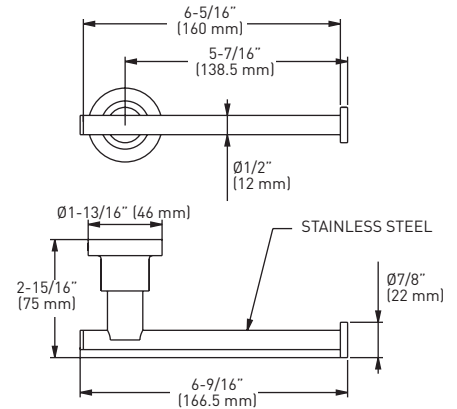
### SINGLE ROBE HOOK



### TOWEL RING



### PAPER HOLDER (RIGHT HAND INSTALLATION ONLY)



MEASUREMENTS SUBJECT TO A 3% VARIANCE

MEASUREMENTS ARE FOR REFERENCE ONLY. TAYMOR RESERVES THE RIGHT TO CHANGE THE PRODUCT SPECS WITHOUT NOTICE. FOR PRODUCT WARRANTY, PLEASE VISIT TAYMOR WEBSITE FOR DETAILS

RETAIL PACK	POLISHED CHROME 26	MATERIAL	CASE PACK
18" TOWEL BAR	02-D33118	ZINC/STAINLESS STEEL	4
24" TOWEL BAR	02-D33124	ZINC/STAINLESS STEEL	4
SINGLE ROBE HOOK	02-D33101	ZINC	4
TOWEL RING	02-D33104	ZINC/STAINLESS STEEL	4
PAPER HOLDER	02-D33148	ZINC/STAINLESS STEEL	4

