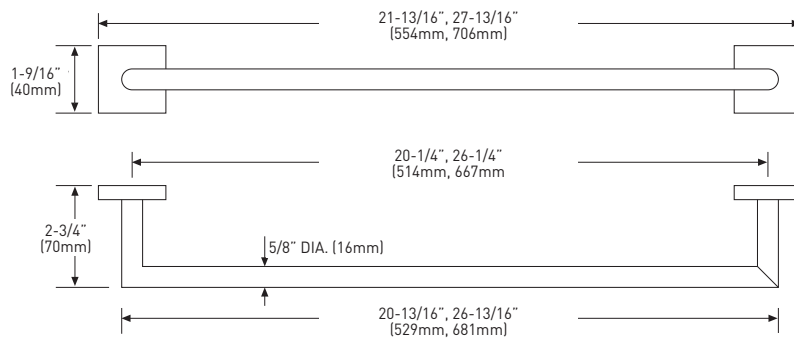


FEATURES

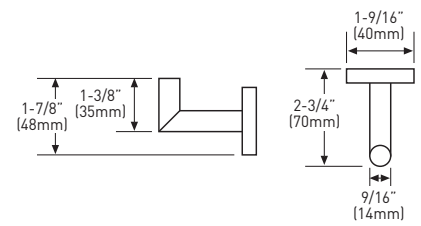
- INCLUDES SOLID ZINC DIE CAST MOUNTING PLATES: 1-3/16" x 1-3/16" (30 mm x 30 mm); NYLON ANCHORS AND STEEL PHILLIPS HEAD SCREWS: #8 x 1-1/4" (32 mm)
- SOLID ZINC DIE-CAST CONSTRUCTION (POSTS)



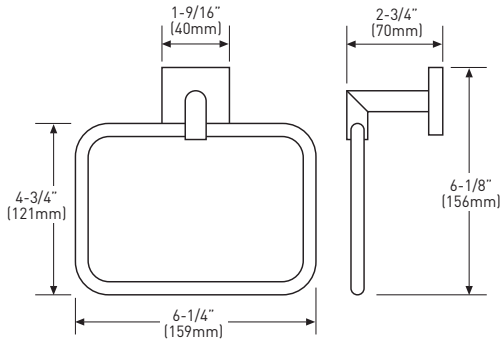
TOWEL BAR



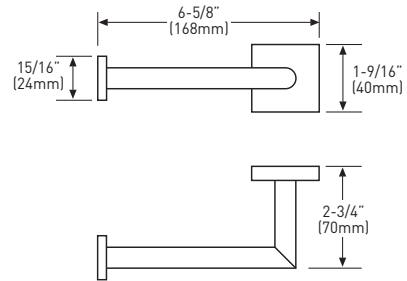
ROBE HOOK



TOWEL RING



PAPER HOLDER (LEFT HAND INSTALLATION ONLY)



MEASUREMENTS SUBJECT TO A 3% VARIANCE

MEASUREMENTS ARE FOR REFERENCE ONLY. TAYMOR RESERVES THE RIGHT TO CHANGE THE PRODUCT SPECS WITHOUT NOTICE. FOR PRODUCT WARRANTY, PLEASE VISIT TAYMOR WEBSITE FOR DETAILS

| RETAIL PACK | SATIN NICKEL 15 | POLISHED CHROME 26 | MATERIAL | CASE QTY |
|---------------|-----------------|--------------------|----------------------|----------|
| 18" TOWEL BAR | 02-D5518SN | 02-D5518 | ZINC/STAINLESS STEEL | 4 |
| 24" TOWEL BAR | 02-D5524SN | 02-D5524 | ZINC/STAINLESS STEEL | 4 |
| ROBE HOOK | 02-D5501SN | 02-D5501 | ZINC | 4 |
| TOWEL RING | 02-D5504SN | 02-D5504 | ZINC | 4 |
| PAPER HOLDER | 02-D5548SN | 02-D5548 | ZINC | 4 |

