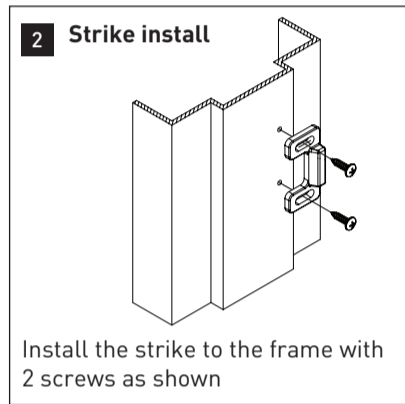
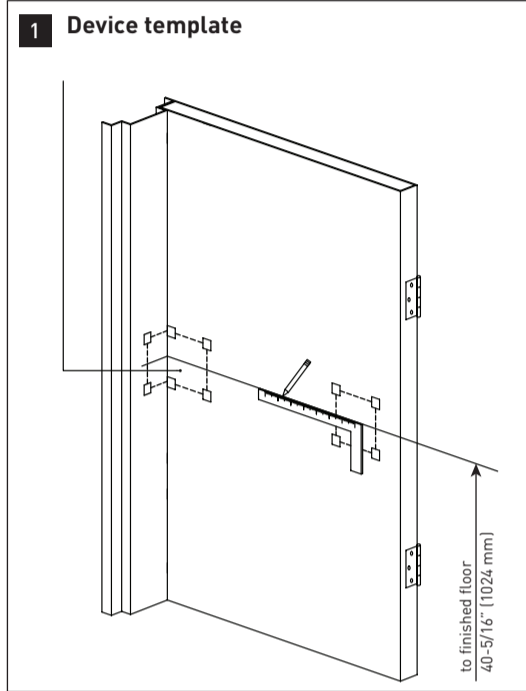
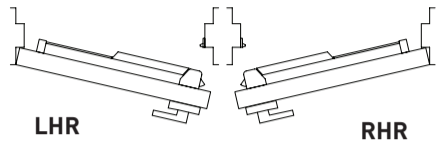


IMPORTANT document includes template must print at 100%

INSTALLATION INSTRUCTIONS Taymor 9700 SERIES SAFETY-RATED RIM EXIT DEVICE

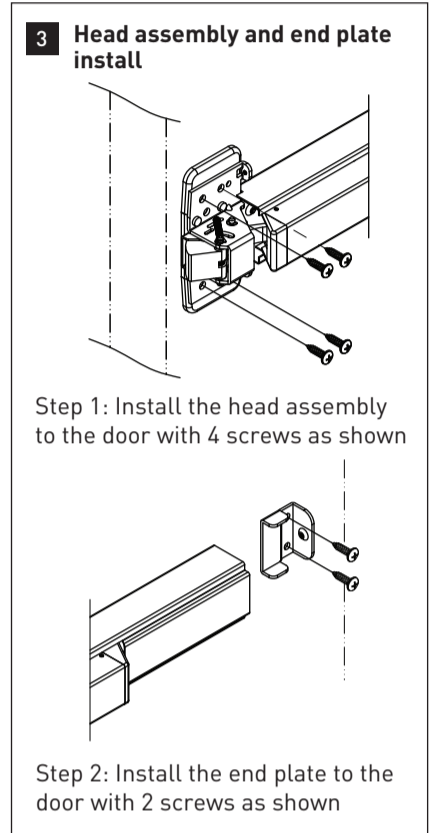
- For steel prepared doors, drill/tap and use supplied machine screws.
- For thin gauge metal, non-prepared doors or for labeled wood doors use thru bolts.
- See template for details on mounting screws.

DOOR HANDING GUIDE:

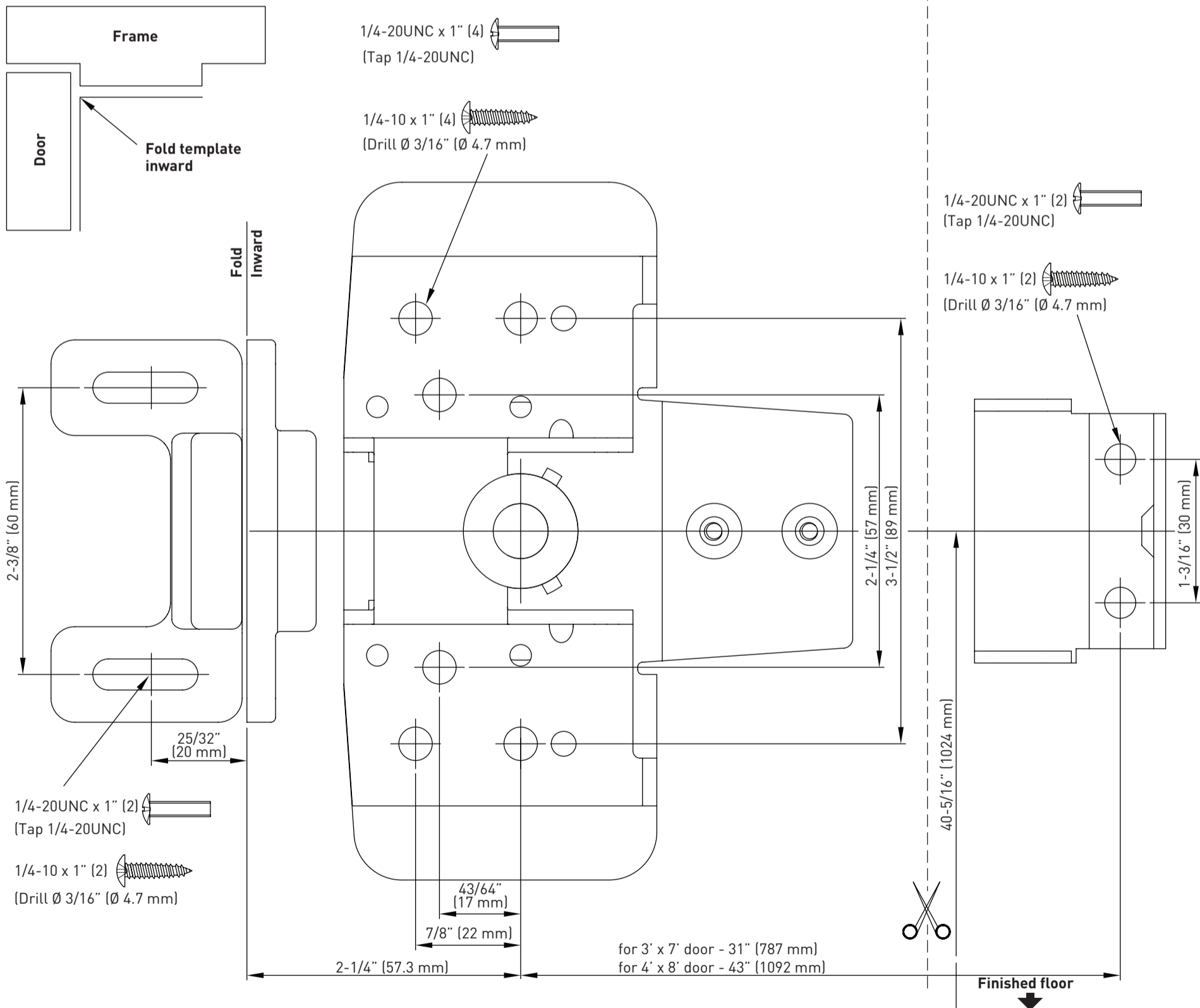


- A - Strike
- B - Head assembly
- C - End plate
- D - Push bar
- E - Dogging access

Dogging:
Depress and hold push bar, insert dogging wrench and turn 90°. The push bar will remain depressed and the latch will remain retracted.



9700 SERIES SAFETY-RATED RIM EXIT DEVICE - TEMPLATE



CUSTOMER SERVICE
WEST 1-800-267-4774 | EAST 1-800-387-7064 | taymor.com

© REGISTERED TRADEMARK OF TAYMOR INDUSTRIES LTD.
January 2013