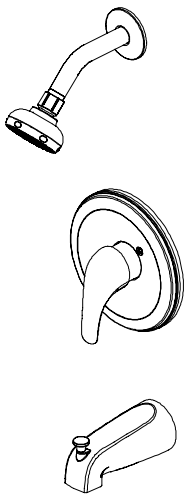


INSTALLATION INSTRUCTIONS



INFINITY 06-9966AS

SINGLE HANDLE PRESSURE BALANCE TUB & SHOWER FAUCET



THIS VALVE MEETS OR EXCEEDS THE FOLLOWING STANDARDS: ASME A112.18.1/CSA B125.1 and ASSE 1016 (Type -P-).



THANK YOU FOR PURCHASING THIS TAYMOR PRODUCT. ALL TAYMOR PRODUCTS ARE CAREFULLY ENGINEERED AND FACTORY TESTED TO PROVIDE LONG TROUBLE-FREE USE UNDER NORMAL CONDITIONS



WARNING: READ ALL the instructions completely before beginning. READ ALL warnings, care, and maintenance information.

Taymor recommends calling a professional if you are uncertain about installing this product!

This product should be installed in accordance with all local and provincial plumbing and building codes.



CAUTION: Before completing installation, the installer must set the maximum water temperature setting of this valve to minimize the risks associated with scalding hazards according to ASTM F444.

NOTICE TO THE INSTALLER: CAUTION! As the installer of this valve, it is your responsibility to properly **INSTALL** and **ADJUST** this valve per the instructions given. This valve does not automatically adjust for inlet temperature changes, therefore, someone must make the necessary Rotational Limit Stop adjustments at the time of installation and further adjustments may be necessary due to seasonal water temperature change.

YOU MUST inform the owner/user of this requirement by following the instructions. If you or the owner/user are unsure how to properly make these adjustments, please refer to the instructions. After installation and adjustment, please fill in the blanks in the information box in the instructions. Retain the instructions for future reference.

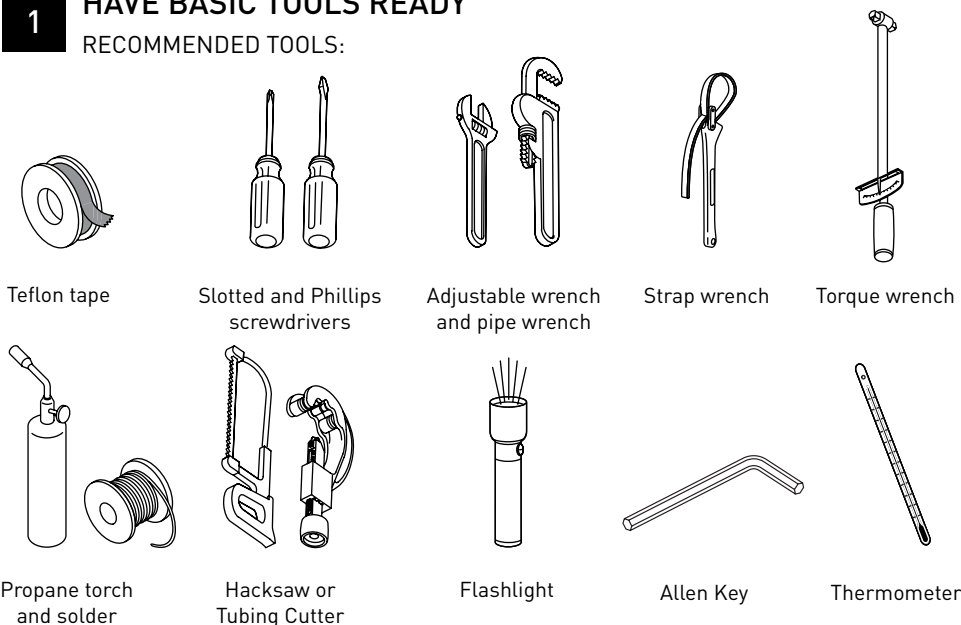
NOTICE TO HOMEOWNERS! This device has been preset by _____ of _____ to ensure a safe maximum temperature. Any change in the setting may raise the discharge temperature above the limit considered safe, and lead to scalds. Date: _____

WARNING: This pressure balanced bath valve is designed to minimize the effects of outlet water temperature changes due to inlet pressure changes commonly caused by dishwashers, washing machines, toilets and the like. It may not provide protection from hot water burns when there is a failure of other temperature controlling devices elsewhere in the plumbing system, if the Rotational Limit Stop is not properly set, if the hot water temperature is changed after the Rotational Limit Stop is set, or if the water inlet temperature changes due to seasonal variations. The pressure balanced device does not control temperature, only pressure fluctuations. The limit stop does not control temperature variations, caused by inlet temperature variations.

Need Help? Please call our toll-free Customer Support line at (WEST) 1-800-267-4774 (EAST) 1-800-387-7064 for additional assistance or service.

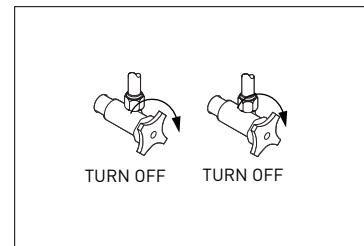
1 HAVE BASIC TOOLS READY

RECOMMENDED TOOLS:



2 TURN OFF THE MAIN WATER SUPPLY

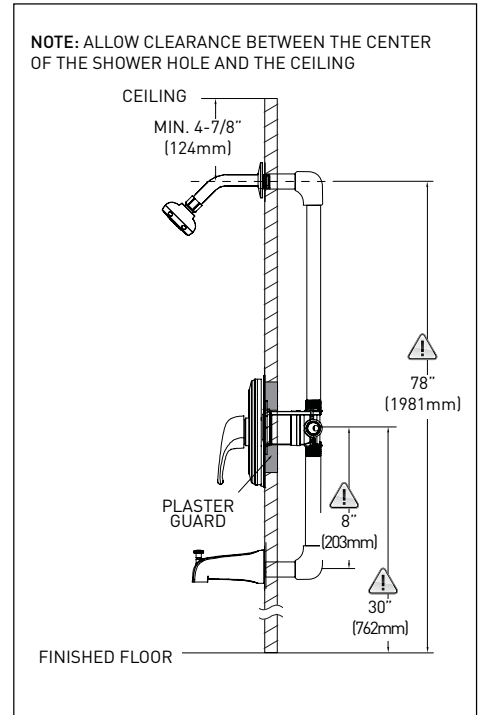
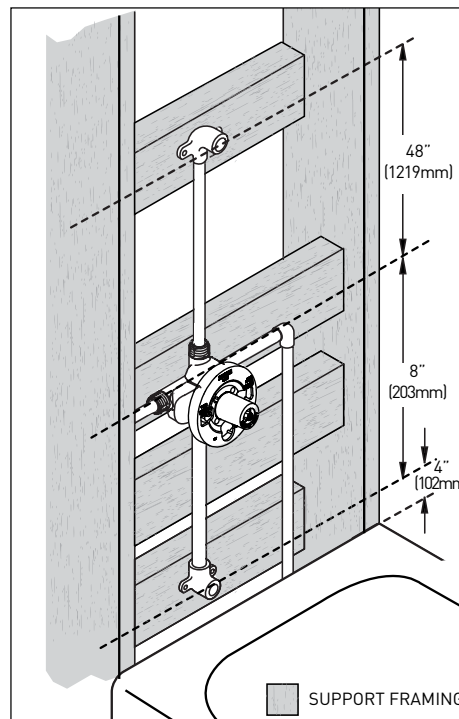
Locate water supply and shut off water supply valves. These are usually found near water meter.



3 DETERMINE LOCATION OF THE VALVE, AND INSTALL THE SUPPORT FRAMING IN DESIRED LOCATION.

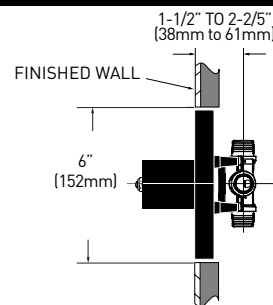


Using other distances may cause back pressure and result in water flowing from the showerhead and tub spout at the same time.



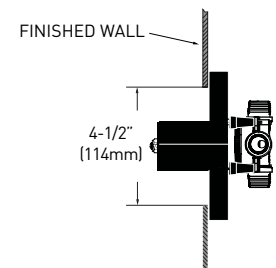
NOTE: ALLOW CLEARANCE BETWEEN THE CENTER OF THE SHOWER HOLE AND THE CEILING

ROUGH-IN DEPTH



MAKE SURE THE SURFACE OF THE FINISHED WALL IS FLUSH WITH THE FRONT OF THE GUARD

THIN WALL INSTALLATION



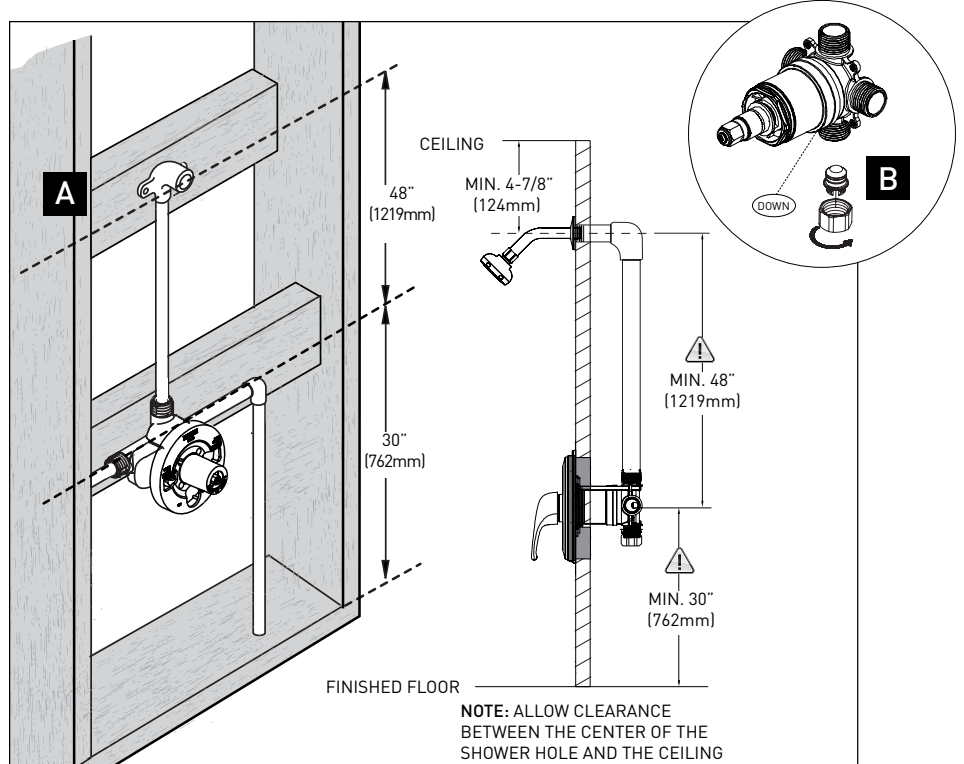
PLASTER GUARD MUST BE BEHIND THE WALL

3A FOR SHOWER (WITHOUT TUB SPOUT) INSTALLATION ONLY

IF YOU ARE NOT MAKING A SHOWER ONLY INSTALLATION SKIP STEP 3A, CONTINUE WITH STEP 4.

A) Determine location of the valve, and install the support framing in desired the location.

B) Plug valve **DOWN** outlet with pipe plug.



INSTALLATION INSTRUCTIONS



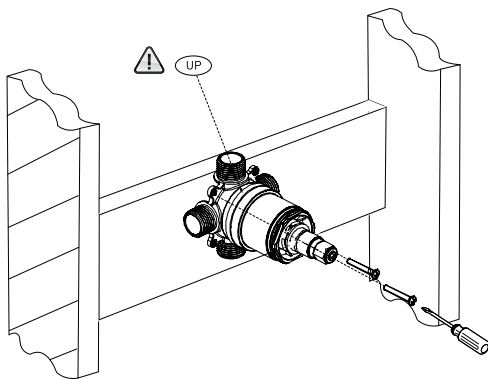
INFINITY 06-9966AS
SINGLE HANDLE PRESSURE BALANCE TUB & SHOWER FAUCET

4 SECURE THE VALVE BODY TO FRAMING

Utilize integrated valve mounting holes to brace the valve properly. Screws can be accessed through the plaster guard.



Be sure to position the body correctly in the wall, with the markings **UP** facing upward.



5 CONNECT WATER SUPPLY PIPING

Cold water supply lines go into **C** inlet
Hot water supply lines go into **H** inlet

FOR THREAD CONNECTIONS

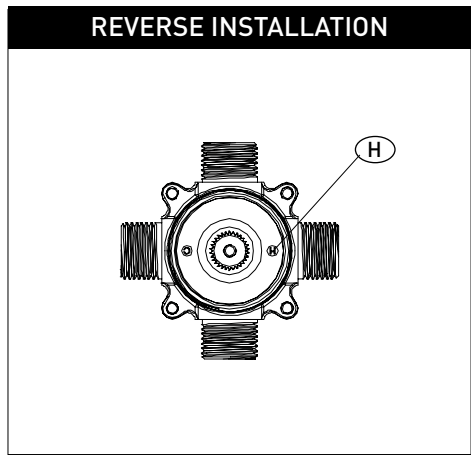
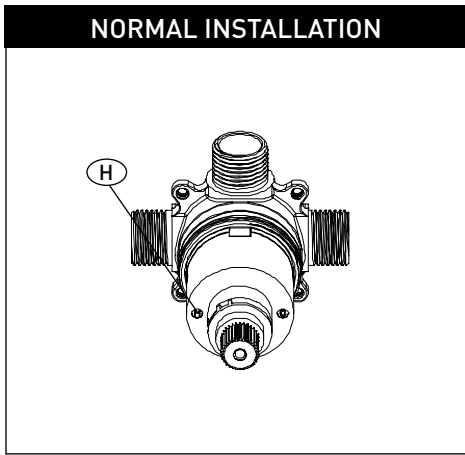
VALVE BODY INLETS AND OUTLETS ARE DESIGNED TO ACCOMMODATE 1/2" IPS THREADED COUPLING CONNECTION.

FOR SOLDERED COPPER CONNECTION

PRIOR TO SOLDERING ANY INLET OR OUTLET CONNECTIONS, REMOVE PLASTER GUARD, BONNET, CARTRIDGE, O-RING, CARTRIDGE SEAT, CHECK VALVE & WASHER. FAILURE TO DO SO CAN RESULT IN WATER DAMAGE.

5A FOR BACK TO BACK OR REVERSE INSTALLATIONS ONLY (CONTINUED)

IF YOU ARE NOT MAKING A REVERSE OR BACK TO BACK INSTALLATION SKIP STEP 5A, CONTINUE WITH STEP 6.



6 CONNECT BATH AND SHOWER OUTLET PIPES

Connect **UP** outlet to shower pipe. Connect **DOWN** outlet to tub spout pipe. Connect pipe elbows to the ends of both pipes. Securely fasten to framing.



Use only 1/2" Iron or 1/2" (5/8" O.D.) copper pipe between valve and tub spout (No PEX)! Do not reduce the inner pipe diameter! Must be a straight drop 8" (203 mm) long with only one 90° elbow to the tub spout nipple.

FOR THREAD CONNECTIONS

FOR THREADED CONNECTION, APPLY PIPE TAPE ONTO THREADED ENDS.

FOR SOLDERED COPPER CONNECTIONS

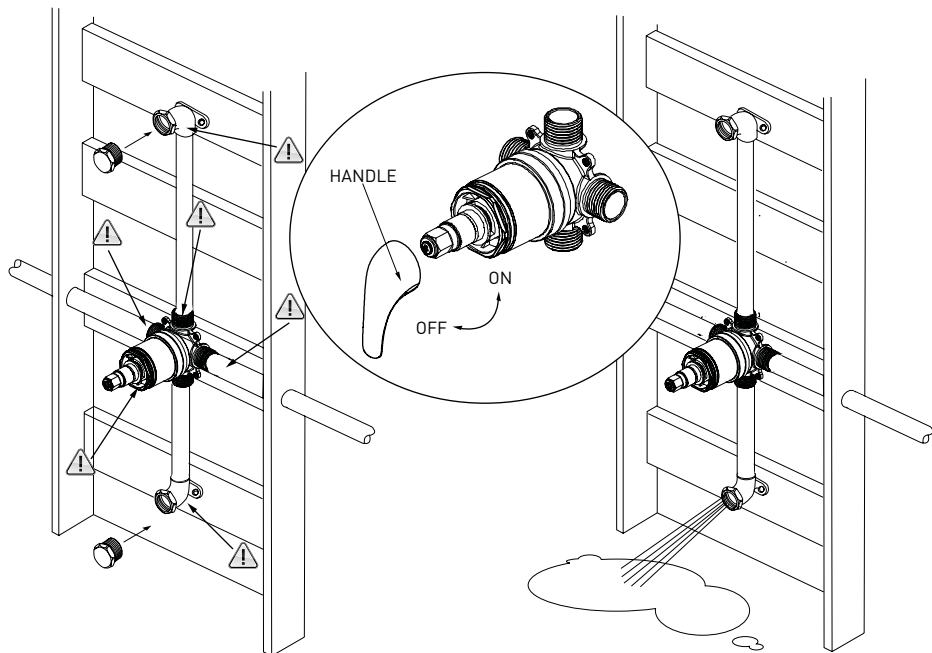
ONCE ALL PIPE JOINTS ARE SOLDERED, RE-ASSEMBLE THE WASHER, CHECK VALVE, CARTRIDGE SEAT, O-RING, CARTRIDGE AND BONNET INTO VALVE BODY.

7 CHECK FOR LEAKS / FLUSH SYSTEM

Use two 1/2" iron pipe plugs on both shower outlet and tub spout outlet. Place handle on valve stem, and turn handle to full on mixed position. Turn on hot and cold water lines to full open position for one minute each. Check for leaks. Shut off water at faucet. Slowly remove pipe plugs from tub and shower outlets to relieve pressure. Turn on water allowing water to flow from tub spout until all foreign matter has cleared the line. Block one nipple to flush the debris out of the other nipple. Shut off water at faucet.



Check these areas for potential leaks!



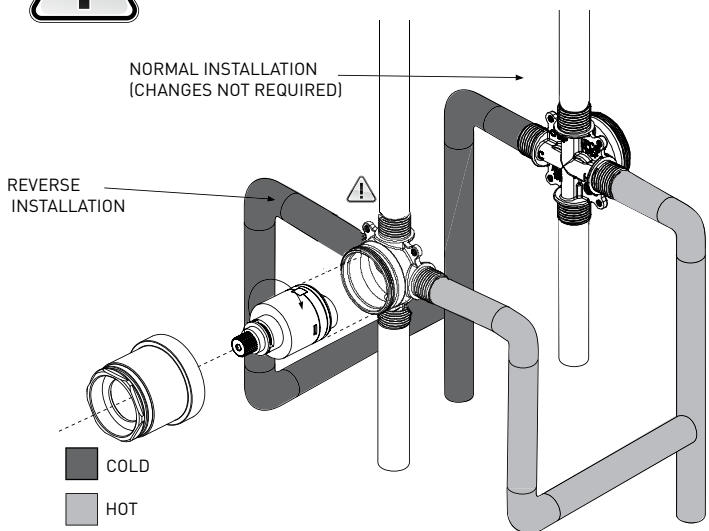
5A FOR BACK TO BACK OR REVERSE INSTALLATIONS ONLY

IF YOU ARE NOT MAKING A REVERSE OR BACK TO BACK INSTALLATION SKIP STEP 5A, CONTINUE WITH STEP 6.

If the hot and cold inlets are reversed (hot on right and cold on left), remove the plaster guard, sleeve, and bonnet from the valve with reversed supply connections. Rotate cartridge 180° so **H** appear on the right. Install the cartridge making sure that the key is fully engaged with the slot in the brass body. Slide bonnet over the cartridge and thread onto the body. Hand tighten securely. Reassemble sleeve and plaster guard.



Never install valve body upside down!



INSTALLATION INSTRUCTIONS



INFINITY 06-9966AS
SINGLE HANDLE PRESSURE BALANCE TUB & SHOWER FAUCET

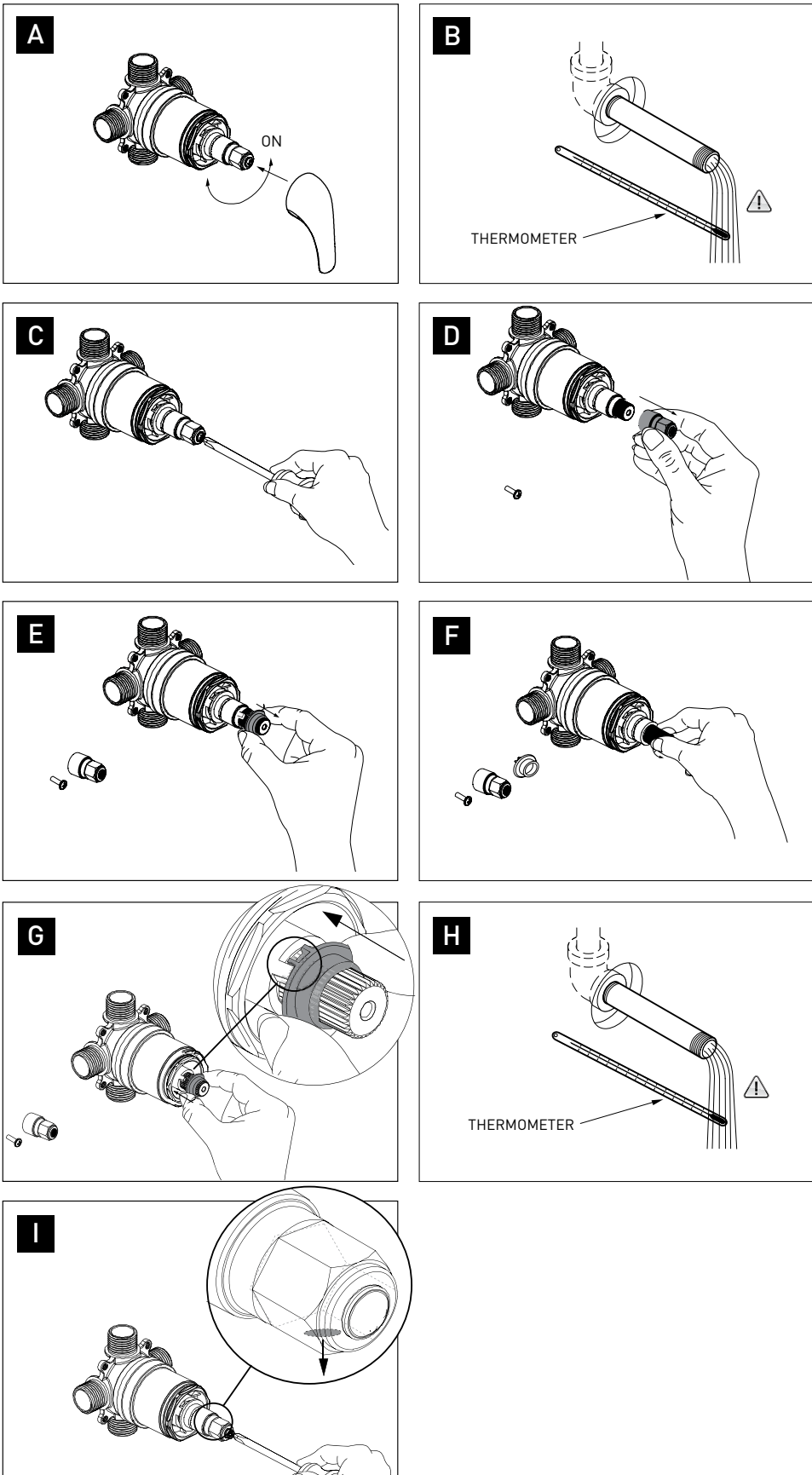
8 ADJUSTING THE ROTATIONAL LIMIT STOP

LIMIT STOP RING IS FACTORY-SET TO PREVENT STEM FROM REACHING FULL HOT POSITION.

- A) Place handle back on stem and run the water so that the cold water is as cold as it will get and hot water is as hot as it will get. **Make sure cold water flows from the valve first.** Rotate full counter-clockwise to the hottest position.
- B) After several minutes, hold a thermometer in the water stream. Check the temperature. Shut off water at faucet.
- C) Remove the screw.
- D) Remove the stem adapter.
- E) Remove the red limit stop ring.
- F) Slowly turn the valve stem counter-clockwise to adjust the desired maximum water temperature.
- G) Reinstall the red limit stop ring and readjust the teeth engagement position such that stem cannot move beyond the adjusted point.
- H) Recheck the temperature. A water temperature for a comfortable bath or shower is typically between 90 °F - 100 °F. Rotate stem clockwise to turn off.
- I) Rotate the stem adapter with notch facing down and reinstall the stem adapter and screw.

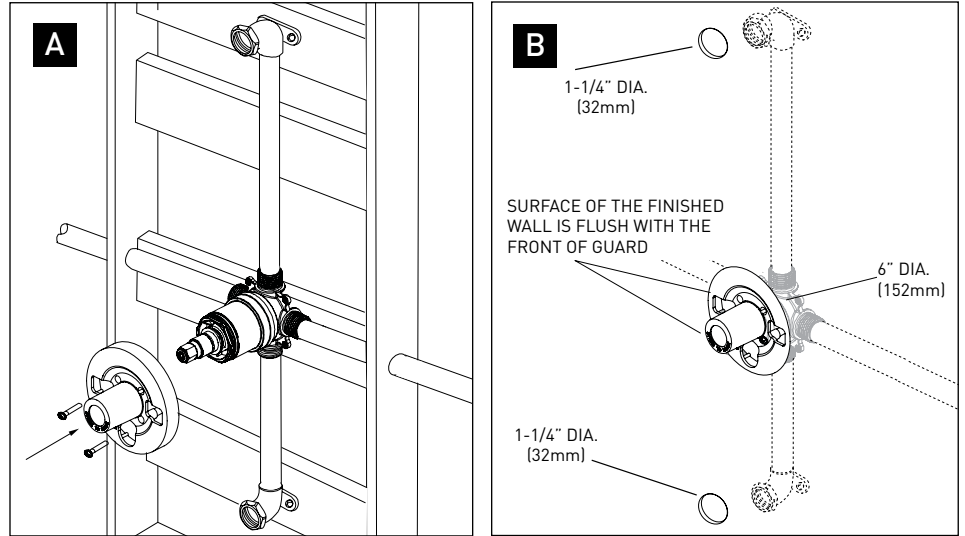


Make sure water flowing from the valve at the hottest flow possible does not exceed 120°F or the maximum allowed by your local plumbing code.



9 FINISHED WALL PREPARATION

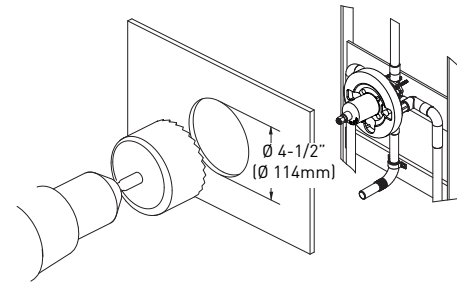
- A) Replace plaster guard into Valve Body and secure with screws.
- B) Proceed to finish wall. Make appropriate holes to finished wall.



9A FOR THIN WALL INSTALLATION ONLY

IF YOU ARE NOT MAKING A THIN WALL INSTALLATION SKIP STEP 9A, CONTINUE WITH STEP 10.

For fiberglass, acrylic and other thin wall construction cut 4-1/2" (114mm) diameter hole which has the same centre with the valve location.

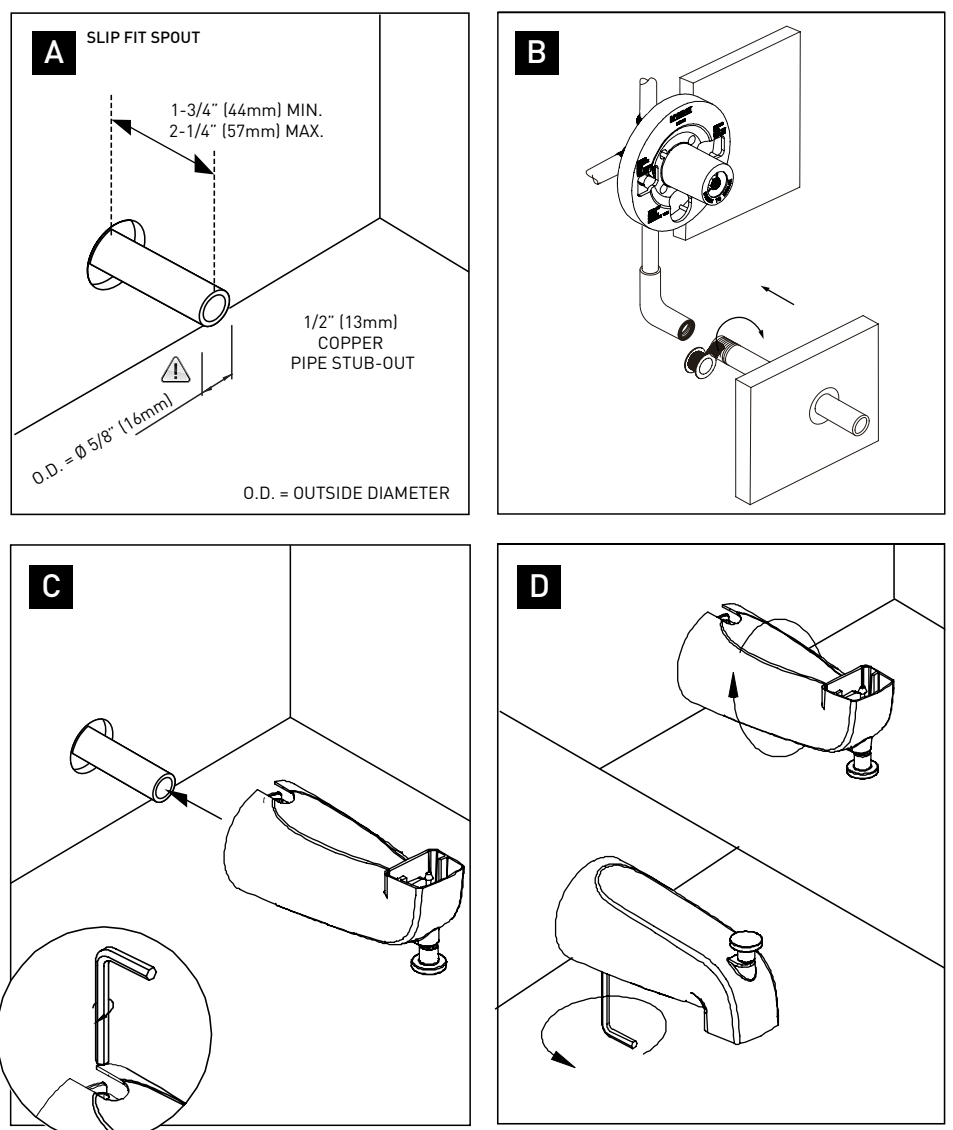


10 SPOUT INSTALLATION

- A) The stub-out pipe is to project 1-3/4" to 2-1/4" from the finished wall.
- B) Apply plumber's tape to pipe threads on stub-out pipe. Screw stub-out pipe into the elbow inside the wall and tighten with pipe wrench.
- C) Slide the spout over stub-out pipe flush with the finished tub or wall surface.
- D) Tighten set screw, but do not over tighten.



There should be no sharp edges or burrs on the end of the pipe.



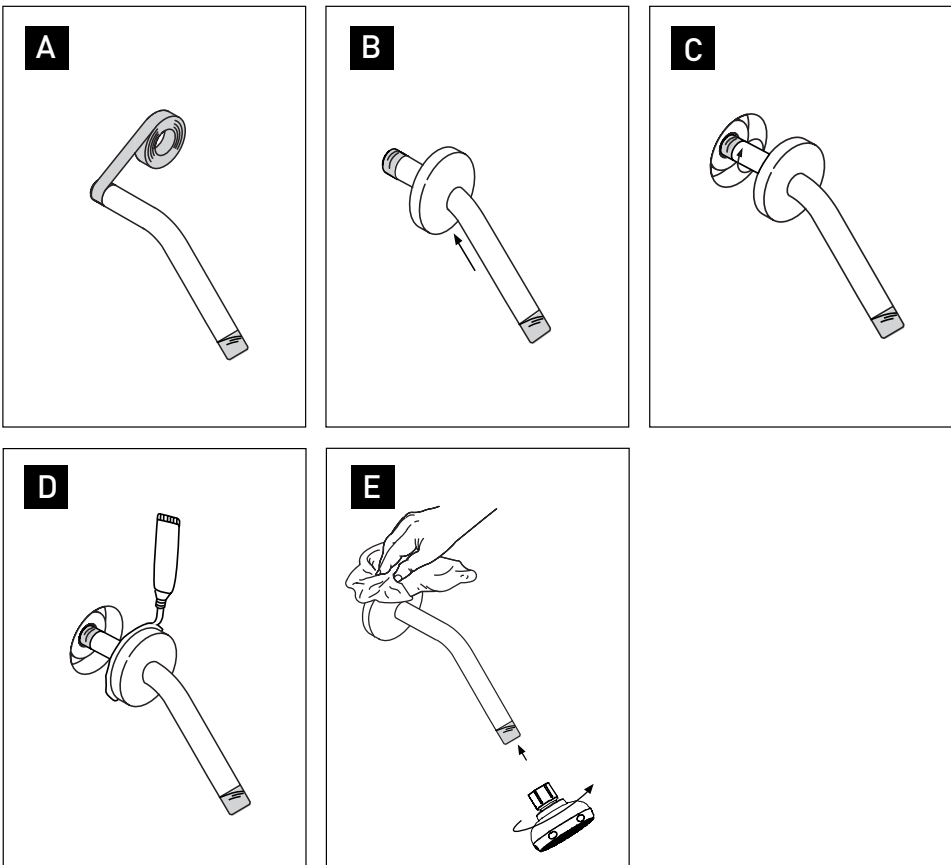
INSTALLATION INSTRUCTIONS



INFINITY 06-9966AS
SINGLE HANDLE PRESSURE BALANCE TUB & SHOWER FAUCET

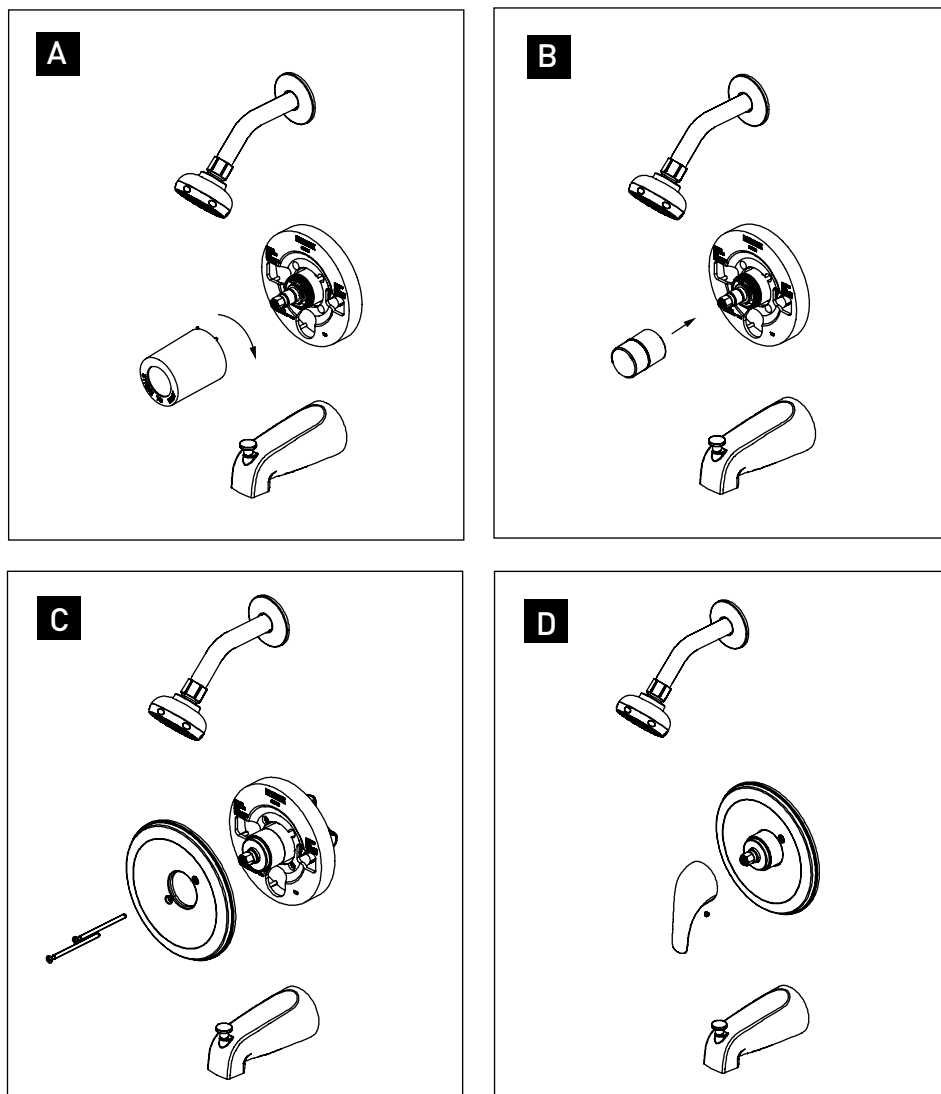
11 SHOWER ARM INSTALLATION

- A) Apply plumber's tape to both ends of shower arm.
- B) Insert the wall end of the shower arm through the shower arm flange.
- C) Screw the end of the shower arm into pipe elbow inside the wall.
- D) Apply plumber's putty or sealant to the shower arm flange.
- E) Finally slide shower flange tight to the wall. Remove excess sealant with a cloth. Thread shower head into shower arm.



12 INSTALL ESCUTCHEON AND HANDLE ASSEMBLY ONTO VALVE BODY

- A) Before installing escutcheon, remove the plastic cap from plaster guard by twisting cap to the clockwise.
- B) Replace the sleeve.
- C) Securely fasten escutcheon to faucet valve body with escutcheon screws. Tighten until escutcheon is snug to finished wall surface.
- D) Thread set screw into handle and only thread it three to four turns. Place handle onto stem adapter and tighten set screw with hex wrench. Insert plug button into set screw hole.



EXPLODED DIAGRAM FOR REFERENCE

MAINTENANCE Your new faucet is designed for years of trouble-free performance. Keep it looking new by cleaning it periodically with a soft cloth. Avoid abrasive cleaners, steel wool and harsh chemicals as these will dull the finish and void your warranty.

