

### SPECIFICATIONS

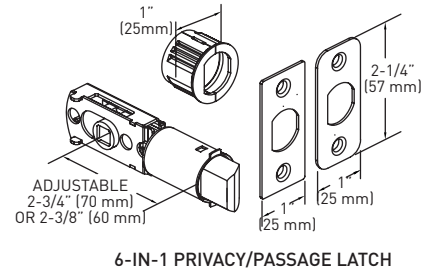
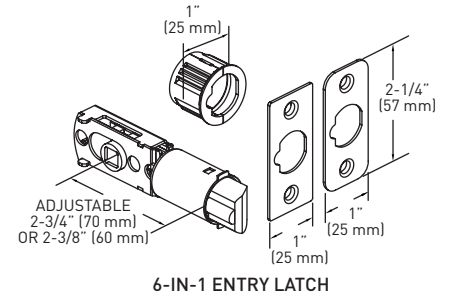
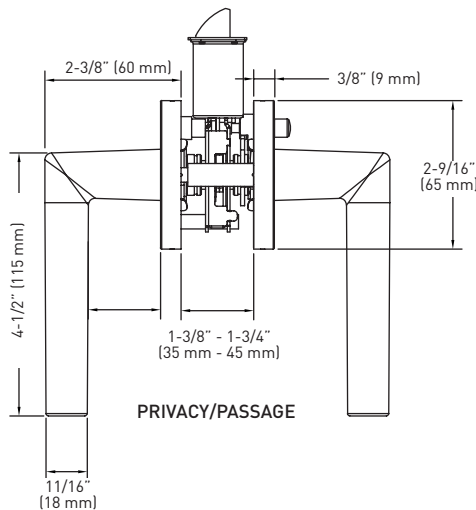
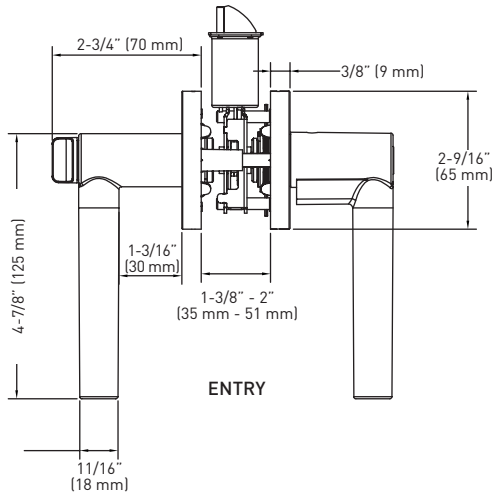
- UNIVERSAL 6-IN-1 LATCH: DRIVE IN, SQUARE MORTISE AND RADIUS CORNER WITH ADJUSTABLE BACKSET: 2-3/8" (60 mm) - 2-3/4" (70 mm)
- STANDARD BORE HOLES: 2-1/8" (54 mm)
- FITS STANDARD DOOR THICKNESS: 1-3/8" (35 mm) - 1-3/4" (45 mm)
- FULL LIP RADIUS CORNER STRIKE WITH ADJUSTABLE TAB STANDARD: 1-3/4" x 2-1/4" (45 mm x 57 mm)
- EASY ACCESS EXPOSED DUAL SCREWS (ONE SIDE)
- PUSH BUTTON AUTO-RELEASE ON PRIVACY FUNCTION
- TURN BUTTON AUTO-RELEASE ON ENTRY FUNCTION
- NON-FIRE RATED



GRADE  
**3**  
ANSI GRADE 3



LIFETIME MECHANICAL & 5 YEAR FINISH WARRANTY



6-IN-1 PRIVACY/PASSAGE LATCH

FULL LIP RADIUS STRIKE

MEASUREMENTS SUBJECT TO A 3% VARIANCE

MEASUREMENTS ARE FOR REFERENCE ONLY. TAYMOR RESERVES THE RIGHT TO CHANGE THE PRODUCT SPECS WITHOUT NOTICE. FOR PRODUCT WARRANTY, PLEASE VISIT TAYMOR WEBSITE FOR DETAILS

| BUILDER PACK       | ENTRY         | PRIVACY       | PASSAGE       | CASE QTY. | DUMMY     | CASE QTY. |
|--------------------|---------------|---------------|---------------|-----------|-----------|-----------|
| SATIN NICKEL 15    | 33-D009064SN  | 33-D009024SN  | 33-D009034SN  | 20        | 33-904SN  | 30        |
| MATTE BLACK 19     | 33-D009064BLK | 33-D009024BLK | 33-D009034BLK | 20        | 33-904BLK | 30        |
| POLISHED CHROME 26 | 33-D009064PC  | 33-D009024PC  | 33-D009034PC  | 20        | 33-904PC  | 30        |
| RETAIL PACK        |               |               |               |           |           |           |
| SATIN NICKEL 15    | 34-FV009064SN | 34-FV009024SN | 34-FV009034SN | 4         | -         | -         |

