

## SPECIFICATIONS

- › cUL LISTED FOR USE ON 3-HOUR FIRE DOOR (SINGLE OR DOUBLE DOORS)
- › CONFORMS FULLY TO BHMA/ANSI 156.13 GRADE 1, INCLUDING OPERATIONAL, STRENGTH AND SECURITY.
- › 12 GAUGE FULLY-WRAPPED HEAVY DUTY STEEL CASE
- › ZINC DICHROMATE PLATED FOR CORROSION RESISTANCE
- › ADJUST EASILY TO DOOR BEVEL EDGE ANGLES FROM FLAT TO 1/8" (3 mm)
- › FIELD REVERSIBLE HANDING ON CASSETTE (SHIPPED STANDARD AS RIGHT HANDED)
- › STAINLESS STEEL LATCH BOLT WITH 2 ANTI-FRICTION TONGUES
- › ROCKERTYPE, CHROME-PLATED BRASS TOGGLE (ON APPLICABLE FUNCTIONS)
- › STANDARD 6PIN SCHLAGE "C" KEYWAY (ON APPLICABLE FUNCTIONS)
- › CONSTRUCTION OR MASTER KEYING SYSTEMS AVAILABLE
- › INCLUDES 2 SOLID BRASS NICKEL-PLATED CUT KEYS PER LOCK
- › 10-YEAR MECHANICAL & 1-YEAR FINISH WARRANTY



GRADE  
1

ANSI GRADE 1



FULL KEYING SERVICES AVAILABLE

6-pin SC4 keyway, packaged keyed different



FIRE RATED

Meets c-UL and UL 3-hour fire rating standard

## LEVER STYLE AVAILABLE

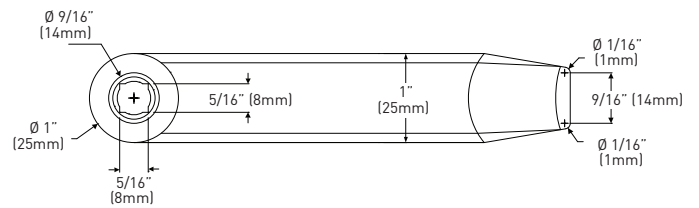
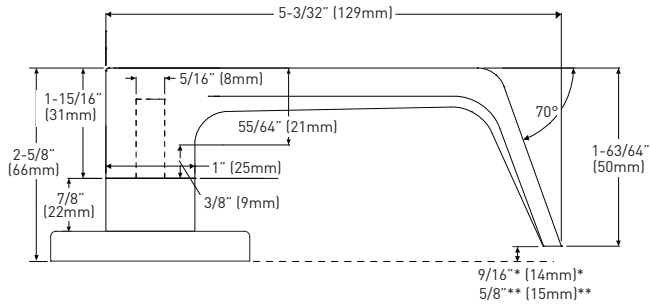
DUKE MORTISE TRIM



DUKE	C26D SATIN CHROME	CASE PACK
OFFICE (ANSI F04)	39-S6077C26D	6
APARTMENT (ANSI F20)	39-S5077C26D	6
PRIVACY (ANSI F19)	39-S4077C26D	6
PASSAGE (ANSI F01)	39-S1077C26D	6
CLASSROOM (ANSI F05)	39-S7077C26D	6
STOREROOM (ANSI F07)	39-S8077C26D	6
DORMITORY (ANSI F13)	39-S5677C26D	6
EXIT (ANSI F12)	39-S5777C26D	6
<b>CYLINDER</b>	<b>C26D SATIN CHROME</b>	<b>CASE PACK</b>
1-1/8"	39-MSCYL118C26D	10

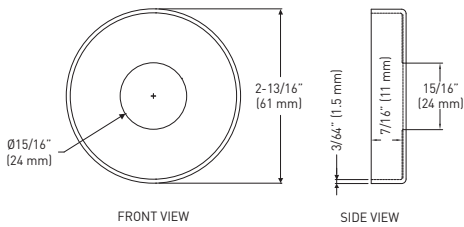
## SPECIFICATION DRAWINGS: COMMERCIAL MORTISE LEVER TRIM

### DUKE LEVER

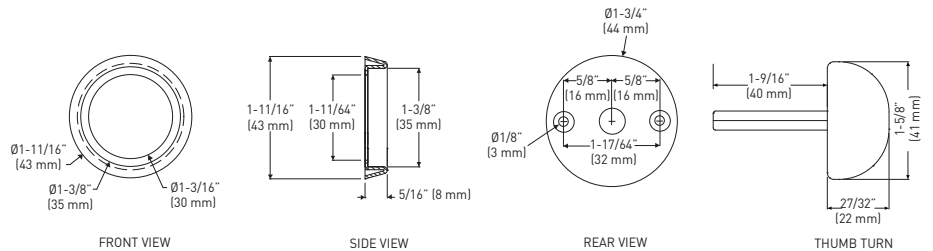


## SPECIFICATION DRAWINGS: SECTIONAL ROSE TRIM

### ROUND SECTIONAL ROSE: LEVERS



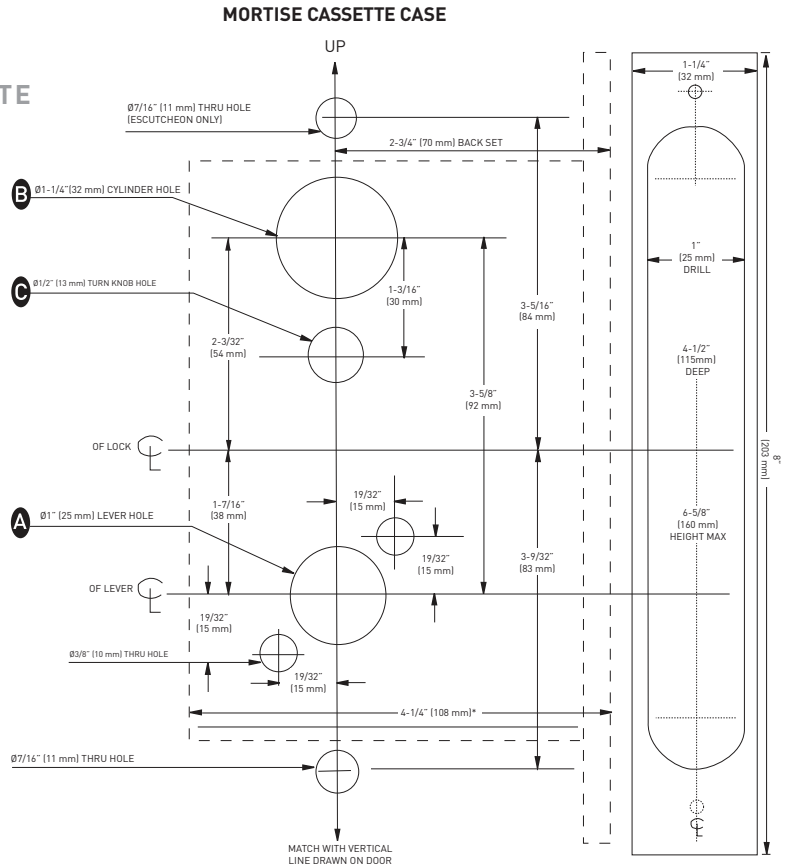
### ROUND SECTIONAL ROSE: DEADBOLTS



## SPECIFICATION DRAWINGS: MORTISE CASSETTE

### WARNING:

- DRAWINGS ON THIS PAGE ARE FOR REFERENCE ONLY - NOT TO SCALE
- REFER TO PRODUCT INSTALLATION TEMPLATES FOR COMPLETE DETAILS PRIOR TO DOOR PREPARATION
- CALL TAYMOR CUSTOMER SERVICE FOR QUESTIONS

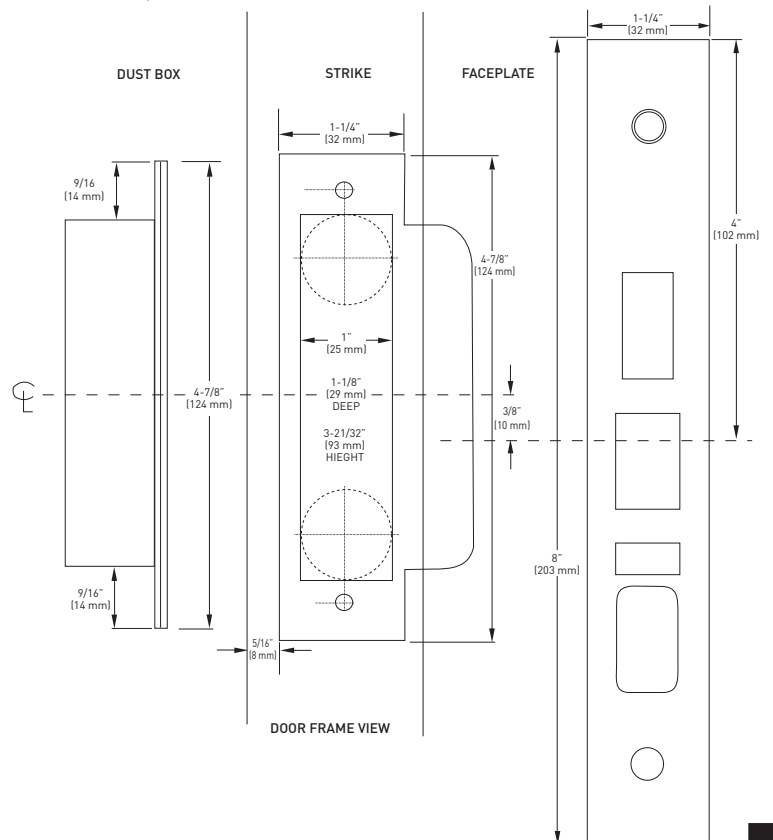


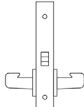
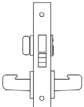
\* INCLUDES CASE FLANGE DEPTH AND ADJOINING FACE PLATE

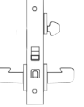
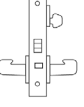
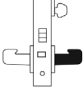
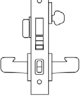
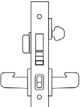
## SPECIFICATION DRAWINGS: MORTISE STRIKE, FACEPLATE, AND DUSTBOX

### DOOR PREPARATION:

- STANDARD NORTH AMERICAN MORTISE LOCK DOOR PREPARATION (86 DOOR PREP AS PER ANSI A115.2)
- DOOR THICKNESS 1-3/4" (45mm) STANDARD
- 2-3/4" (70mm) BACKSET ONLY



MORTISE, NON-KEYED		FUNCTION / DESCRIPTION	ANSI #
	PASSAGE	<ul style="list-style-type: none"> <li>• LEVER/KNOB FROM EITHER SIDE RETRACTS LATCHBOLT AT ALL TIMES</li> </ul>	ANSI F01
	PRIVACY	<ul style="list-style-type: none"> <li>• LEVER/KNOB OUTSIDE RETRACTS LATCHBOLT EXCEPT WHEN DEADBOLT IS PROJECTED</li> <li>• LEVER/KNOB INSIDE RETRACTS BOTH LATCHBOLT AND DEADBOLT SIMULTANEOUSLY, AND UNLOCKS OUTSIDE LEVER/KNOB</li> <li>• EMERGENCY RELEASE RETRACTS AND PROJECTS DEADBOLT BY COIN OR SCREWDRIVER</li> <li>• THUMBTURN RETRACTS AND PROJECTS DEADBOLT</li> </ul>	ANSI F19

MORTISE, KEYED			
	OFFICE/ ENTRY	<ul style="list-style-type: none"> <li>• KEY OUTSIDE RETRACTS LATCHBOLT WHEN OUTSIDE LEVER/KNOB IS LOCKED</li> <li>• LEVER/KNOB INSIDE RETRACTS LATCHBOLT ONLY, OUTSIDE LEVER/KNOB REMAINS LOCKED</li> <li>• LEVER/KNOB OUTSIDE IS LOCKED/UNLOCKED BY TOGGLE ONLY</li> <li>• AUXILIARY DEADLATCH</li> </ul>	ANSI F04
	CLASSROOM	<ul style="list-style-type: none"> <li>• KEY OUTSIDE LOCKS AND UNLOCKS LEVER/KNOB OUTSIDE</li> <li>• KEY OUTSIDE RETRACTS LATCHBOLT</li> <li>• LEVER/KNOB OUTSIDE RETRACTS LATCHBOLT, EXCEPT WHEN OUTSIDE LEVER/KNOB IS LOCKED BY KEY</li> <li>• LEVER/KNOB INSIDE ALWAYS RETRACTS LATCHBOLT</li> <li>• AUXILIARY DEADLATCH</li> </ul>	ANSI F05
	STOREROOM/ CLOSET	<ul style="list-style-type: none"> <li>• KEY OUTSIDE OR LEVER/KNOB INSIDE RETRACTS LATCHBOLT</li> <li>• LEVER/KNOB OUTSIDE RIGID AT ALL TIMES</li> <li>• LEVER/KNOB INSIDE RETRACTS LATCHBOLT</li> <li>• AUXILIARY DEADLATCH</li> </ul>	ANSI F07
	DORMITORY	<ul style="list-style-type: none"> <li>• KEY OUTSIDE OR THUMBTURN INSIDE RETRACTS AND PROJECTS DEADBOLT</li> <li>• LEVER/KNOB FROM EITHER SIDE RETRACTS LATCHBOLT, WHEN THE DEADBOLT IS IN THE RETRACTED POSITION</li> <li>• LEVER/KNOB OUTSIDE IS LOCKED, WHEN THE DEADBOLT IS PROJECTED</li> <li>• WHEN THE DEADBOLT IS PROJECTED, LEVER/KNOB INSIDE RETRACTS LATCHBOLT AND DEADBOLT SIMULTANEOUSLY, UNLOCKING OUTSIDE LEVER/KNOB</li> </ul>	ANSI F13
	EXIT	<ul style="list-style-type: none"> <li>• KEY OUTSIDE OR THUMBTURN INSIDE RETRACTS AND PROJECTS DEADBOLT</li> <li>• KEY OUTSIDE RETRACTS BOTH LATCHBOLT AND DEADBOLT, LEVER/KNOB OUTSIDE REMAINS LOCKED</li> <li>• LEVER/KNOB OUTSIDE IS LOCKED BY TOGGLE OR PROJECTING DEADBOLT</li> <li>• LEVER/KNOB INSIDE (WHEN DEADBOLT IS PROJECTED) RETRACTS LATCHBOLT AND DEADBOLT SIMULTANEOUSLY, AND LEVER/KNOB OUTSIDE REMAINS LOCKED</li> </ul>	ANSI F12
	APARTMENT/ CORRIDOR	<ul style="list-style-type: none"> <li>• KEY OUTSIDE OR THUMBTURN INSIDE RETRACTS AND PROJECTS DEADBOLT</li> <li>• KEY OUTSIDE RETRACTS BOTH LATCHBOLT AND DEADBOLT, LEVER/KNOB OUTSIDE REMAINS LOCKED</li> <li>• LEVER/KNOB OUTSIDE IS LOCKED BY TOGGLE OR PROJECTING DEADBOLT</li> <li>• LEVER/KNOB OUTSIDE IS LOCKED BY TOGGLE ONLY</li> <li>• LEVER/KNOB INSIDE (WHEN DEADBOLT IS PROJECTED) RETRACTS LATCHBOLT AND DEADBOLT SIMULTANEOUSLY, AND LEVER/KNOB OUTSIDE REMAINS LOCKED</li> <li>• AUXILIARY DEADLATCH</li> </ul>	ANSI F20

 IF SHADED, KNOB OR LEVER RIGID AT ALL TIMES