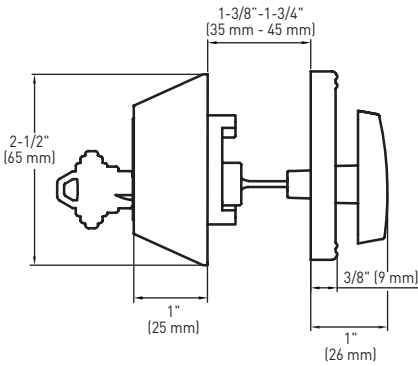


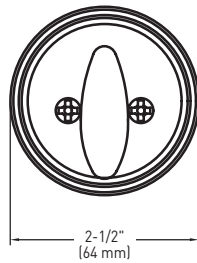
FEATURES

- ANSI/BHMA A 156.2 GRADE 2
- SOLID BRASS CYLINDER
- DOOR PREP: CROSS BORE 2-1/8" OR 1-1/2"
- 2-IN-1 ADJUSTABLE BACKSET LATCH
2-3/8" TO 2-3/4" (61 mm x 70 mm) FOR A. & C.
- FIXED BACKSET LATCH 2-3/4" (61 mm) FOR B.
- 1" x 2-1/4" (25 mm x 57 mm) SQUARE MORTISE LATCH
- 5 YEAR MECHANICAL WARRANTY
- ITEMS A & B 3-HOUR FIRE RATED

A. SINGLE CYLINDER DEADBOLT



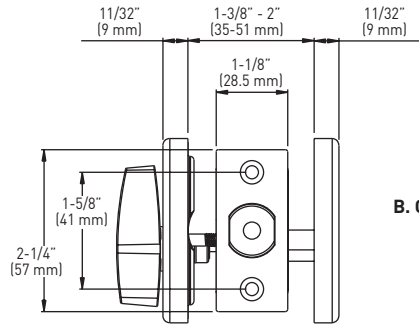
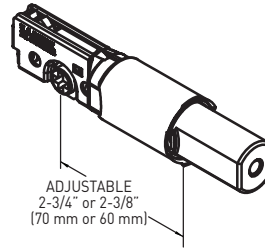
ROUND ROSE



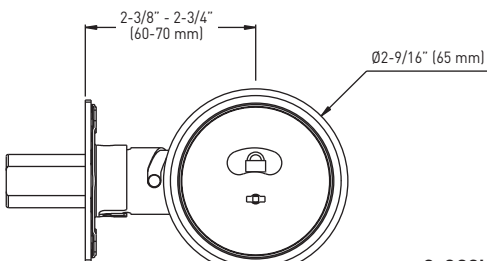
C. OCCUPANCY INDICATOR DEADBOLT SHOWING RED "LOCKED" & GREEN "UNLOCKED" ICONS



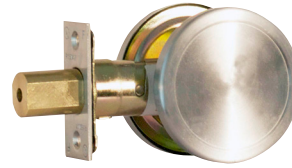
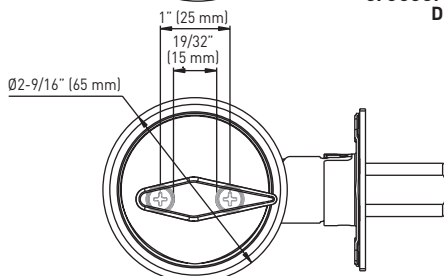
A. SINGLE CYLINDER DEADBOLT 2-IN-1 LATCH



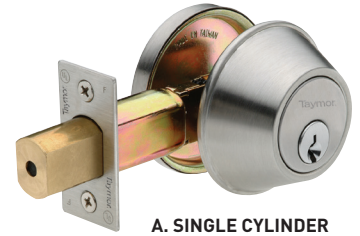
B. COMMUNICATING DEADBOLT



C. OCCUPANCY INDICATOR DEADBOLT



B. COMMUNICATING DEADBOLT



A. SINGLE CYLINDER DEADBOLT



ITEMS A&B LISTED

GRADE 2

ANSI GRADE 2



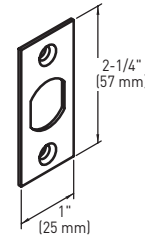
FULL KEYING SERVICES AVAILABLE

6-pin SC4 keyway, packaged keyed different

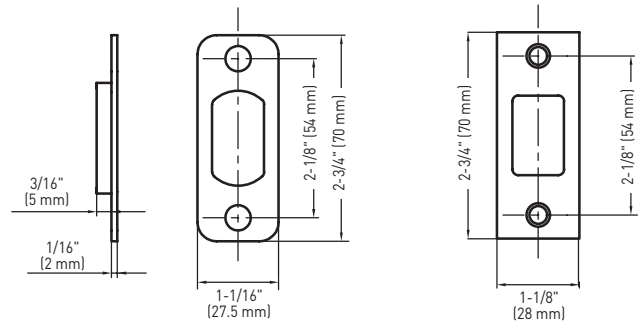


FIRE RATED ITEMS A & B

Meets c-UL and UL 3-hour fire rating standard



A. SINGLE CYLINDER DEADBOLT RADIUS & SQUARE STRIKES



	26D SATIN CHROME	32D SATIN STAINLESS STEEL	CASE PACK
COMMERCIAL GRADE 2 DEADBOLT			
A. SINGLE CYLINDER DEADBOLT	32-F470	32-F450	20
B. SINGLE SIDED COMMUNICATING DEADBOLT	32-F218	-	20
C. OCCUPANCY INDICATOR DEADBOLT	32-F238	32-F238SSS	20

