

SPECIFICATIONS

- › SOLID METAL CONSTRUCTION
- › 4-IN-1 ADJUSTABLE LATCH FOR DRIVE-IN AND SQUARE MORTISE INSTALLATIONS WITH ADJUSTABLE BACKSET: 2-3/8" (60 mm) – 2-3/4" (70 mm)
- › FITS STANDARD DOOR THICKNESS: 1-3/8" (35 mm) – 1-3/4" (45 mm)
- › STANDARD BORE HOLES: 2-1/8" (54 mm)
- › 1-3/4" x 2-1/4" FULL LIP CORNER RADIUS "D" STRIKE
- › WR5 5-PIN KEYWAY
- › KEYING SERVICE AVAILABLE
- › FIRE RATING DOES NOT APPLY TO ENTRY FUNCTION
- › COMPATIBLE WITH 5" BACKSET DEADLATCH

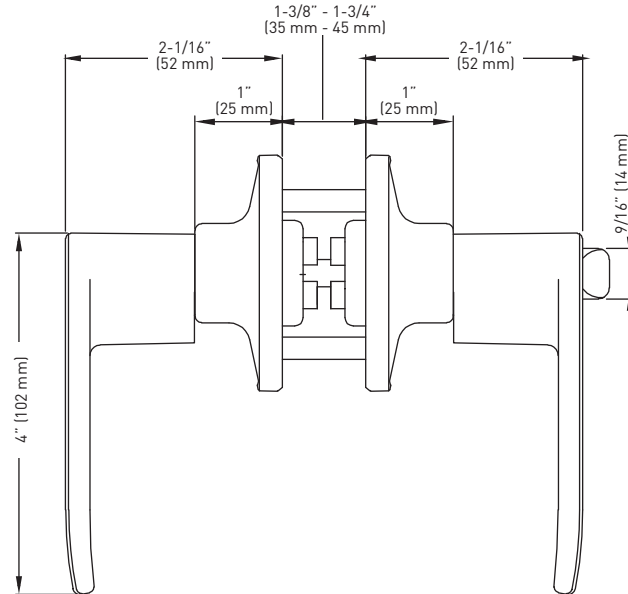
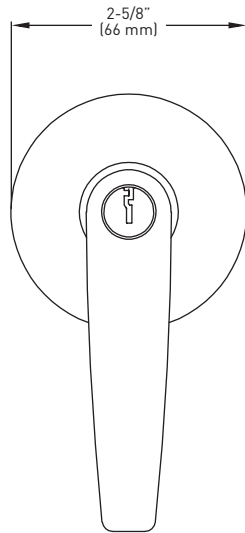


GRADE
3

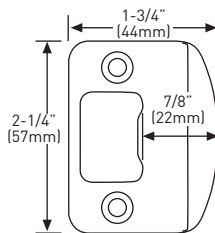
ANSI GRADE 3



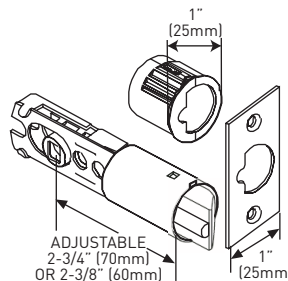
LIFETIME MECHANICAL WARRANTY & 5 YEAR FINISH WARRANTY



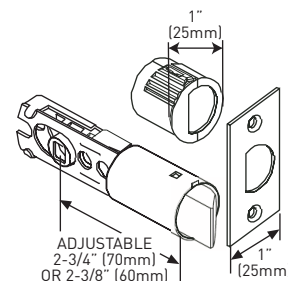
4-IN-1 DRIVE-IN/SQUARE MORTISE



FULL LIP RADIUS STRIKE



4-IN-1 ENTRY LATCH



4-IN-1 PRIVACY/PASSAGE LATCH

MEASUREMENTS SUBJECT TO A 3% VARIANCE

MEASUREMENTS ARE FOR REFERENCE ONLY. TAYMOR RESERVES THE RIGHT TO CHANGE THE PRODUCT SPECS WITHOUT NOTICE. FOR PRODUCT WARRANTY, PLEASE VISIT TAYMOR WEBSITE FOR DETAILS www.taymor.com

PERSPECTIVE BUILDER PACK	ENTRY - KD	PRIVACY	PASSAGE	DUMMY
SATIN NICKEL 15	36-D6210SN	36-D6203SN	36-D6205SN	36-6211SN
SATIN CHROME 26D	36-D6210SC	36-D6203SC	36-D6205SC	36-6211SC

CASE QTY 20

