

# Taymor® | PRODUCT SPECIFICATIONS

## ORLEANS BUILDERS SERIES RESIDENTIAL LEVERSET

### SPECIFICATIONS

- › SOLID METAL CONSTRUCTION
- › 4-IN-1 ADJUSTABLE LATCH FOR DRIVE-IN AND SQUARE MORTISE INSTALLATIONS WITH ADJUSTABLE BACKSET: 2-3/8" (60 mm) – 2-3/4" (70 mm)
- › FITS STANDARD DOOR THICKNESS: 1-3/8" (35 mm) – 1-3/4" (45 mm)
- › STANDARD BORE HOLES: 2-1/8" (54 mm)
- › 1-3/4" x 2-1/4" FULL LIP CORNER RADIUS "D" STRIKE
- › WR5 5-PIN KEYWAY
- › KEYING SERVICE AVAILABLE
- › FIRE RATING DOES NOT APPLY TO ENTRY FUNCTION
- › COMPATIBLE WITH 5" BACKSET DEADLATCH

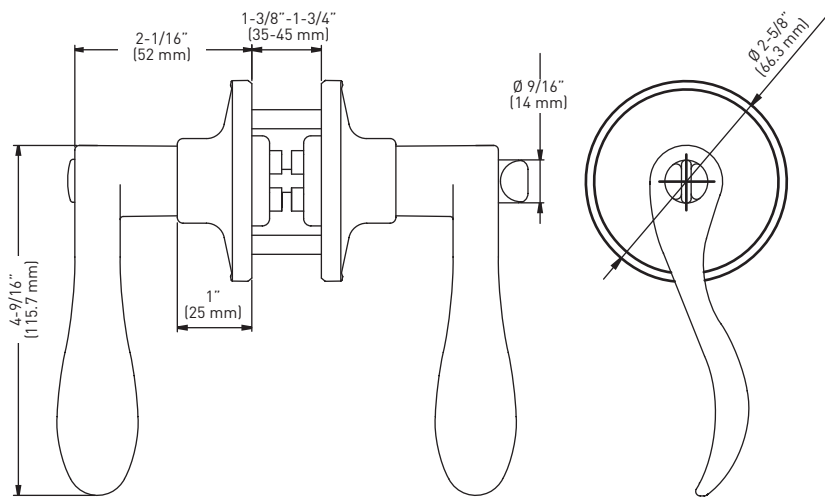


GRADE  
**3**

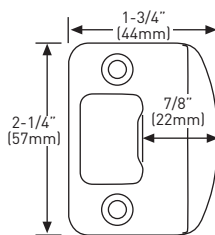
ANSI GRADE 3



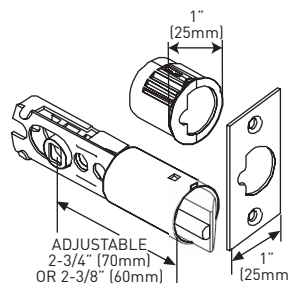
LIFETIME MECHANICAL WARRANTY & 5 YEAR FINISH WARRANTY



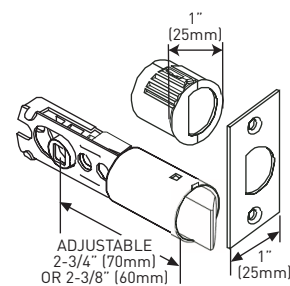
### 4-IN-1 DRIVE-IN/SQUARE MORTISE



FULL LIP RADIUS STRIKE



4-IN-1 ENTRY LATCH



4-IN-1 PRIVACY/PASSAGE LATCH

MEASUREMENTS SUBJECT TO A 3% VARIANCE

MEASUREMENTS ARE FOR REFERENCE ONLY. TAYMOR RESERVES THE RIGHT TO CHANGE THE PRODUCT SPECS WITHOUT NOTICE. FOR PRODUCT WARRANTY, PLEASE VISIT TAYMOR WEBSITE FOR DETAILS [www.taymor.com](http://www.taymor.com)

### ORLEANS

BUILDER PACK

AGED BRONZE 10B+

SATIN NICKEL 15

CASE QTY. 20

\*PLEASE SELECT "R" OR "L" FOR RIGHT OR LEFT HANDING AT END OF ITEM NUMBER WHEN ORDERING DUMMIES

ENTRY - KD

PRIVACY

PASSAGE

DUMMY\*

36-D8310CBRN

36-D8303BBRN

36-D8305BRN

36-8311\_\_BRN

36-D8310CSN

36-D8303BSN

36-D8305SN

36-8311\_\_SN

