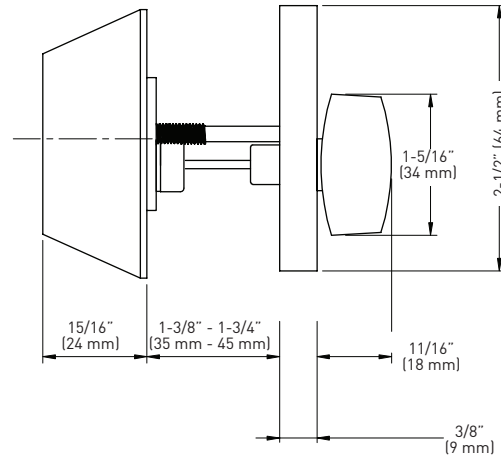
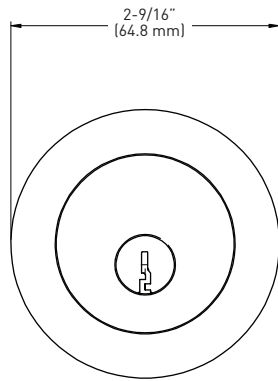


SPECIFICATIONS

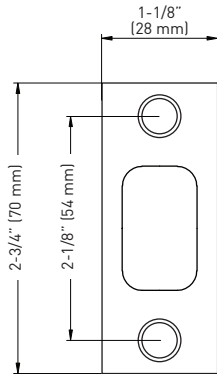
- › SOLID METAL CONSTRUCTION
- › 4-IN-1 ADJUSTABLE LATCH FOR DRIVE-IN AND SQUARE MORTISE INSTALLATIONS WITH ADJUSTABLE BACKSET: 2-3/8" (60 mm) – 2-3/4" (70 mm)
- › FITS STANDARD DOOR THICKNESS: 1-3/8" (35 mm) – 1-3/4" (45 mm)
- › STANDARD BORE HOLES: 1-1/2" (38 mm) and 2-1/8" (54 mm)
- › HIGH SECURITY OR REGULAR SQUARE STRIKE
- › WR5 5-PIN BRASS PLUG (CK)
- › KEYING SERVICE AVAILABLE
- › COMPATIBLE WITH 5" BACKSET DEADBOLT LATCH



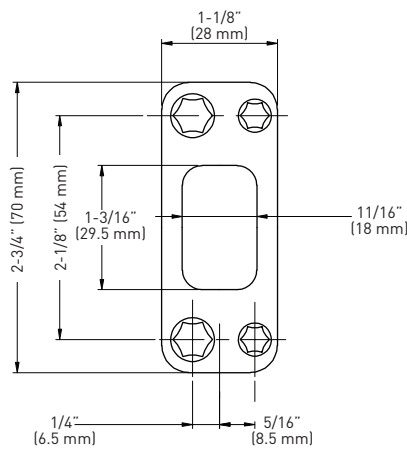
LIFETIME MECHANICAL WARRANTY & 5 YEAR FINISH WARRANTY



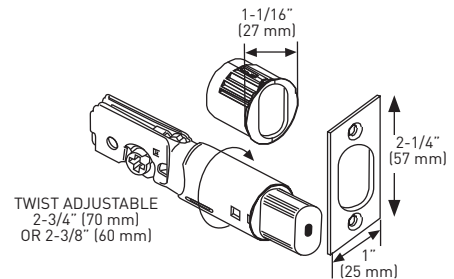
REGULAR SQUARE STRIKE



HIGH SECURITY STRIKE



4-IN-1 DEADBOLT LATCH



MEASUREMENTS SUBJECT TO A 3% VARIANCE

MEASUREMENTS ARE FOR REFERENCE ONLY. TAYMOR RESERVES THE RIGHT TO CHANGE THE PRODUCT SPECS WITHOUT NOTICE. FOR PRODUCT WARRANTY, PLEASE VISIT TAYMOR WEBSITE FOR DETAILS.

SINGLE CYLINDER DEADBOLT (KA3) BUILDER PACK	SINGLE CYLINDER DEADBOLT WITH HIGH SECURITY STRIKE	SINGLE CYLINDER DEADBOLT WITH REGULAR SQUARE STRIKE
POLISHED BRASS 3	36-D104HSPB	36-D104PB
AGED BRONZE 10B+	36-D104HSBRN	-
SATIN NICKEL 15	36-D104HSSN	36-D104SN
SATIN CHROME 26D	36-D104HSSC	36-D104SC
CASE QTY 30		

