

SPECIFICATIONS

- › SOLID METAL CONSTRUCTION
- › 4-IN-1 ADJUSTABLE LATCH FOR DRIVE-IN AND SQUARE MORTISE INSTALLATIONS WITH ADJUSTABLE BACKSET: 2-3/8" (60 mm) – 2-3/4" (70 mm)
- › FITS STANDARD DOOR THICKNESS: 1-3/8" (35 mm) – 1-3/4" (45 mm)
- › STANDARD BORE HOLES: 2-1/8" (54 mm)
- › 1-3/4" x 2-1/4" FULL LIP CORNER RADIUS "D" STRIKE
- › WR5 5-PIN KEYWAY
- › KEYING SERVICE AVAILABLE
- › FIRE RATING DOES NOT APPLY TO ENTRY FUNCTION
- › COMPATIBLE WITH 5" BACKSET DEADLATCH

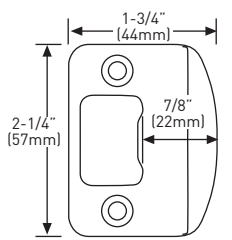
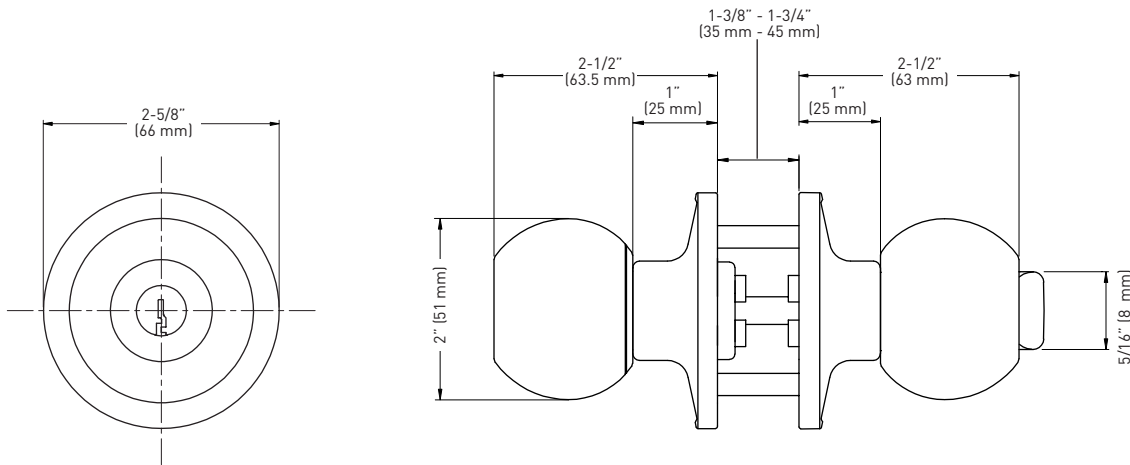


GRADE
3

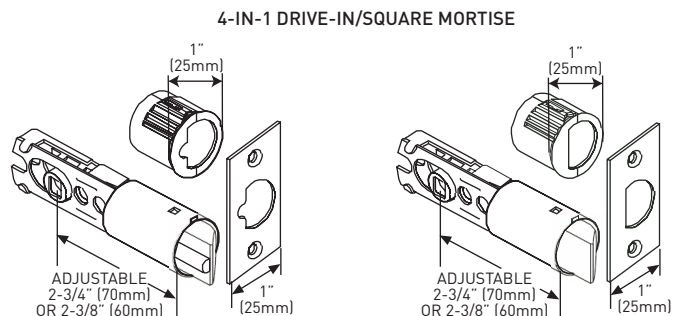
ANSI GRADE 3



LIFETIME MECHANICAL & 5 YEAR FINISH WARRANTY



FULL LIP RADIUS STRIKE



4-IN-1 ENTRY LATCH

4-IN-1 PRIVACY/PASSAGE LATCH

MEASUREMENTS SUBJECT TO A 3% VARIANCE

MEASUREMENTS ARE FOR REFERENCE ONLY. TAYMOR RESERVES THE RIGHT TO CHANGE THE PRODUCT SPECS WITHOUT NOTICE. FOR PRODUCT WARRANTY, PLEASE VISIT TAYMOR WEBSITE FOR DETAILS www.taymor.com

BASIC BALL BUILDER PACK	ENTRY - KD	PRIVACY	PASSAGE	DUMMY
POLISHED BRASS 3	36-D4210PB	36-D4203PB	36-D4205PB	36-4211PB
SATIN NICKEL 15	36-D4210SN	36-D4203SN	36-D4205SN	36-4211SN
SATIN CHROME 26D	36-D4210SC	36-D4203SC	36-D4205SC	36-4211SC

CASE QTY 30

