

Taymor® | PRODUCT SPECIFICATIONS

PROFESSIONAL SERIES®

FJORD HANDLESET

SPECIFICATIONS

- › COMPATIBLE WITH BOTH PREMIER AND PROFESSIONAL SERIES® LOCKSETS
- › UNIVERSAL 6-IN-1 LATCH: DRIVE IN, SQUARE MORTISE AND RADIUS CORNER WITH ADJUSTABLE BACKSET: 2-3/8" (60 mm) – 2-3/4" (70 mm)
- › HIGH TENSILE STEEL ANTI-SAW DEADBOLT WITH 1" THROW
- › STANDARD CENTER TO CENTER BORE DISTANCE: 5-1/2" (140 mm)
- › STANDARD BORE HOLES: 2-1/8" (54 mm)
- › FITS STANDARD DOOR THICKNESS: 1-3/8" TO 1-3/4" (35 mm-45 mm)
- › 4 ADJUSTABLE MOUNTING POSITIONS
- › FULL LIP RADIUS CORNER SPRING LATCH STRIKE WITH ADJUSTABLE TAB
- › HIGH SECURITY DEADBOLT STRIKE
- › SOLID BRASS CONSTRUCTION



EQUINOX INSIDE LEVER

GRADE
3

ANSI GRADE 3



LIFETIME MECHANICAL & 5 YEAR FINISH WARRANTY



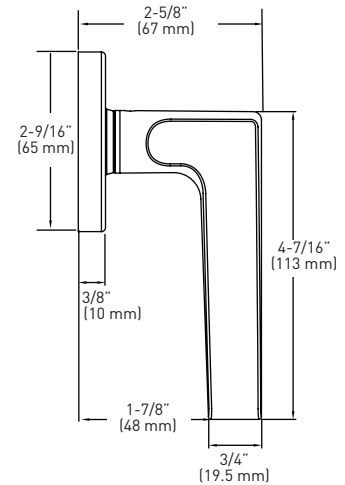
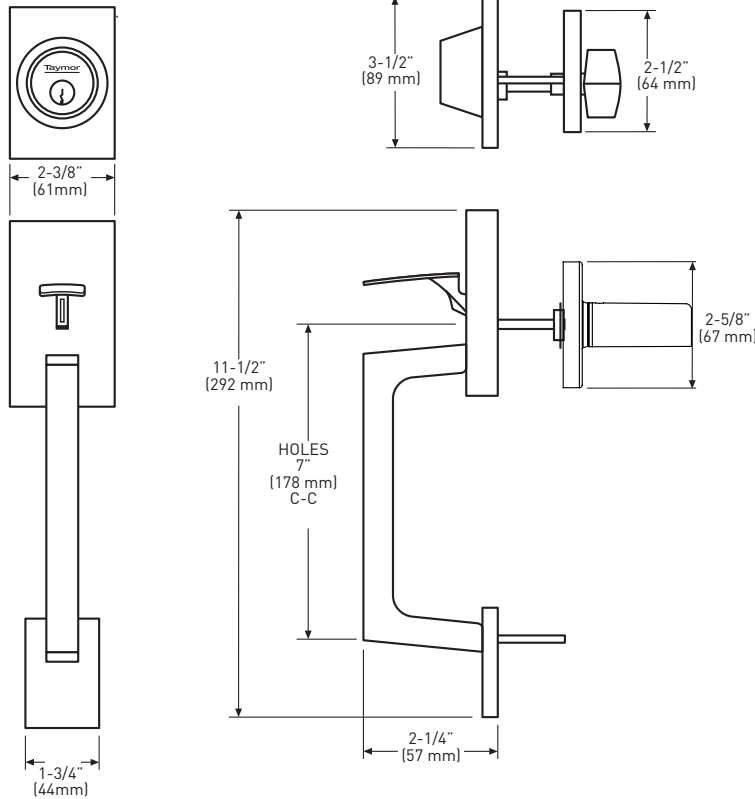
FULL KEYING SERVICES AVAILABLE
WR5 KEYWAY, PACKAGED IN KEYED
DIFFERENT (KD)



20 MINUTE
OPTIONAL
FIRE RATING

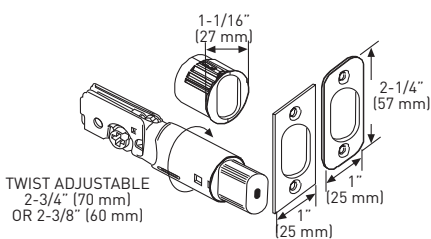


2-14"
OPTIONAL
EXTENSION KIT

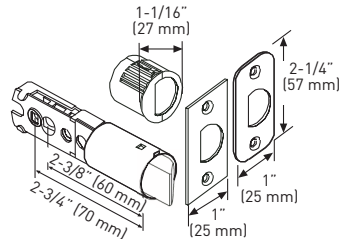


EQUINOX INSIDE TRIM

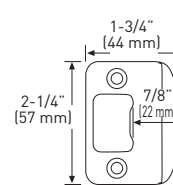
6-IN-1 ADJUSTABLE DEADBOLT LATCH



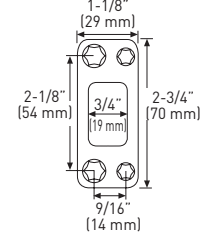
6-IN-1 FIXED HANDLESET LATCH



FULL LIP RADIUS STRIKE



HIGH SECURITY STRIKE



MEASUREMENTS SUBJECT TO A 3% VARIANCE

MEASUREMENTS ARE FOR REFERENCE ONLY. TAYMOR RESERVES THE RIGHT TO CHANGE THE PRODUCT SPECS WITHOUT NOTICE. FOR PRODUCT WARRANTY, PLEASE VISIT TAYMOR WEBSITE FOR DETAILS

RETAIL PACK

SATIN CHROME 26D

34-FV0646

CASE QTY. 6

