

CONCIERGE 400

PROFESSIONAL SERIES
ELECTRONIC DEADBOLT



GRADE
2

ANSI GRADE 2



REINFORCED SECURITY

Fingerprint resistant touchscreen
& optional code scrambling function

CONCIERGE 400

POLISHED BLACK WITH SATIN NICKEL 19/15

33-D5070

CASE QTY. 6

FEATURES

- › Program up to 25 user codes 4-8 digits in length
- › Volume control option to suit your needs
- › Deadbolt fits 2-1/8" [54 mm] or 1-1/2" [38 mm] bore hole
- › Motorized deadbolt automatically locks, and unlocks when a user code is entered
- › Easily create temporary user codes for cleaners, trades or guests
- › Have your door automatically lock as it closes
- › Fully reversible lock
- › Operates on 4AA batteries (sold separately), no hardwiring required
- › Conveniently fits standard door prep and thickness
- › Universal 6-in-1 latches offer a guaranteed fit
- › Fully operational via conventional key



FULL KEYING SERVICES AVAILABLE

- › Keyway is 6-pin WR5 cylinder —comes keyed to 5-pin standard
- › Packaged in Keyed Different (KD)



SIMPLE SETUP

Easy installation with a
Phillips screwdriver



EASY OPERATION

Illuminated touchscreen for easy viewing
at night



REINFORCED SECURITY

High tensile steel anti-saw deadbolt



VACATION MODE

Disables all user codes temporarily



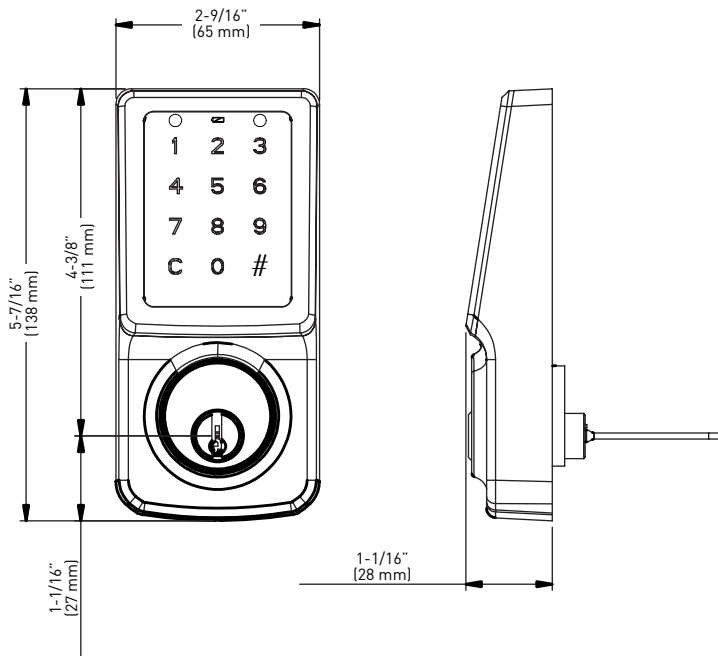
OPERATION TEMPERATURE

-35° C to 66° C (-31° F to 150° F)
(Temperature tolerance could vary
due to different weather conditions)

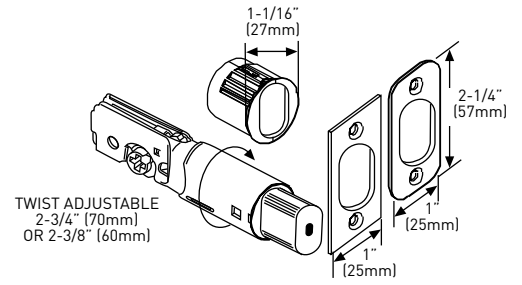


INTERIOR VIEW

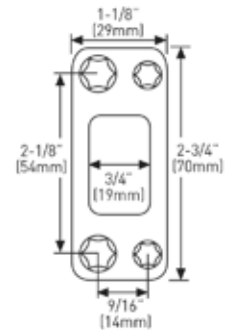
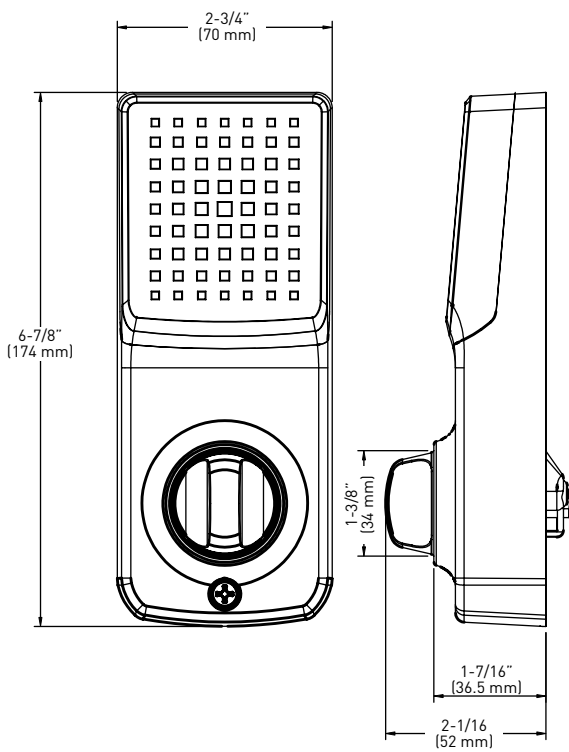
CONCIERGE 400 EXTERIOR



6-IN-1 ADJUSTABLE DEADBOLT LATCH



CONCIERGE 400 INTERIOR



HIGH SECURITY STRIKE

