

SPECIFICATIONS

- › PUSH BUTTON AUTO-RELEASE ON PRIVACY AND KEYED ENTRY FUNCTION
- › UNIVERSAL 6-IN-1 LATCH OFFERS A GUARANTEED FIT
- › INCLUDES ANTI-PRY COLLAR FOR REINFORCED SECURITY
- › 45° LATCH RETRACTION
- › PREMIUM ALL METAL CONSTRUCTION
- › INCLUDES 1-3/4" X 2-1/4" FULL LIP RADIUS CORNER "D" STRIKE STANDARD
- › FITS STANDARD DOORS



GRADE
3

ANSI GRADE 3



LIFETIME MECHANICAL & 5 YEAR FINISH WARRANTY



FULL KEYING SERVICES AVAILABLE
WR5 KEYWAY, PACKAGED IN KEYED DIFFERENT (KD)
OR KEYED ALIKE (KA)



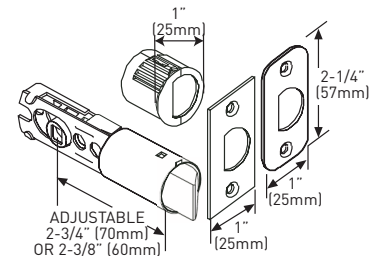
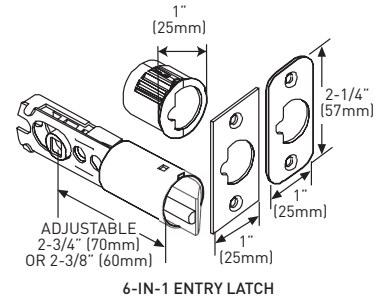
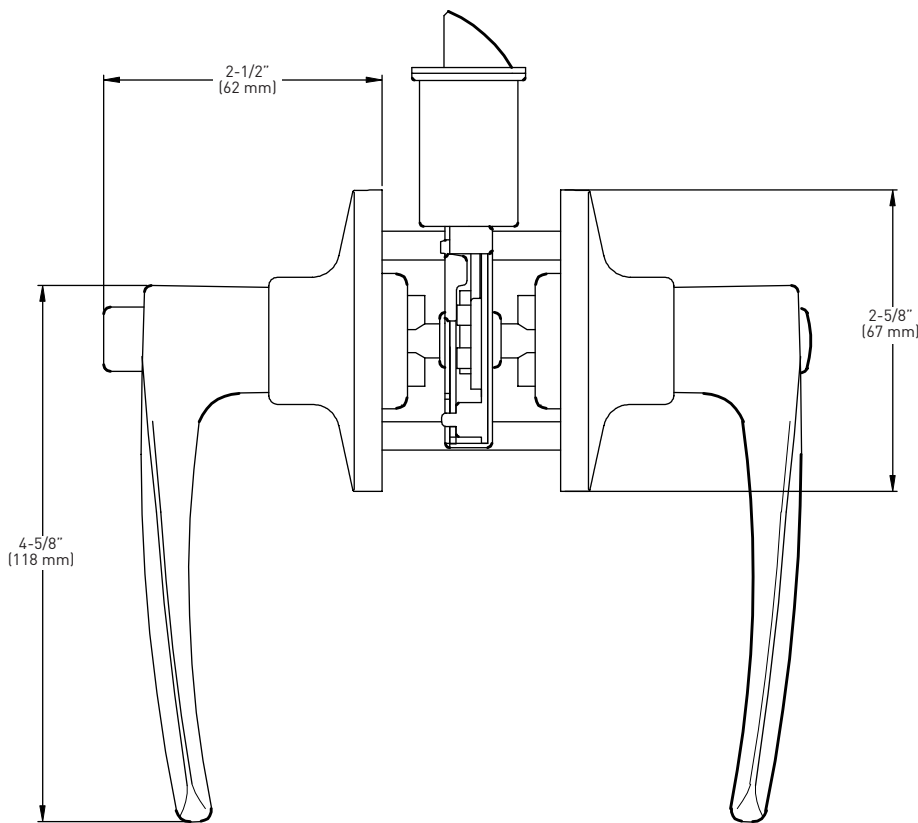
20 MINUTE
OPTIONAL
FIRE RATING



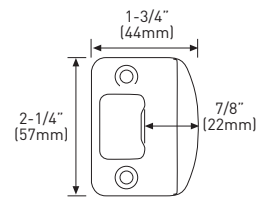
REVERSIBLE



MEETS ADA
STANDARDS



6-IN-1 PRIVACY/PASSAGE LATCH



FULL LIP RADIUS STRIKE

MEASUREMENTS SUBJECT TO A 3% VARIANCE

MEASUREMENTS ARE FOR REFERENCE ONLY. TAYMOR RESERVES THE RIGHT TO CHANGE THE PRODUCT SPECS WITHOUT NOTICE. FOR PRODUCT WARRANTY, PLEASE VISIT TAYMOR WEBSITE FOR DETAILS

SEVILLE

BUILDER PACK	ENTRY	PRIVACY	PASSAGE	INSIDE TRIM	DUMMY
SATIN NICKEL 15 KD	33-006164SNAR	33-006124SNAR	33-006134SN	—	33-00614SN
SATIN STAINLESS STEEL 32D	—	33-D7824AR	33-D7834	33-HL78	33-784

CASE QTY. 20

