

SPECIFICATIONS

- › PUSH BUTTON AUTO-RELEASE ON PRIVACY AND KEYED ENTRY FUNCTION
- › UNIVERSAL 6-IN-1 LATCH
- › ANTI-PRY SHIELD
- › 45° LATCH RETRACTION
- › INCLUDES 1-3/4" X 2-1/4" FULL LIP RADIUS CORNER "D" STRIKE STANDARD
- › FITS STANDARD DOORS



LIFETIME MECHANICAL & 5 YEAR FINISH WARRANTY



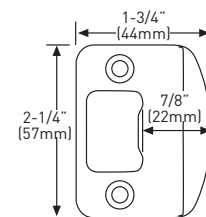
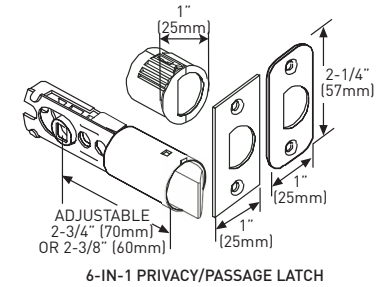
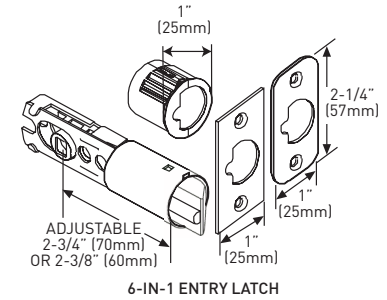
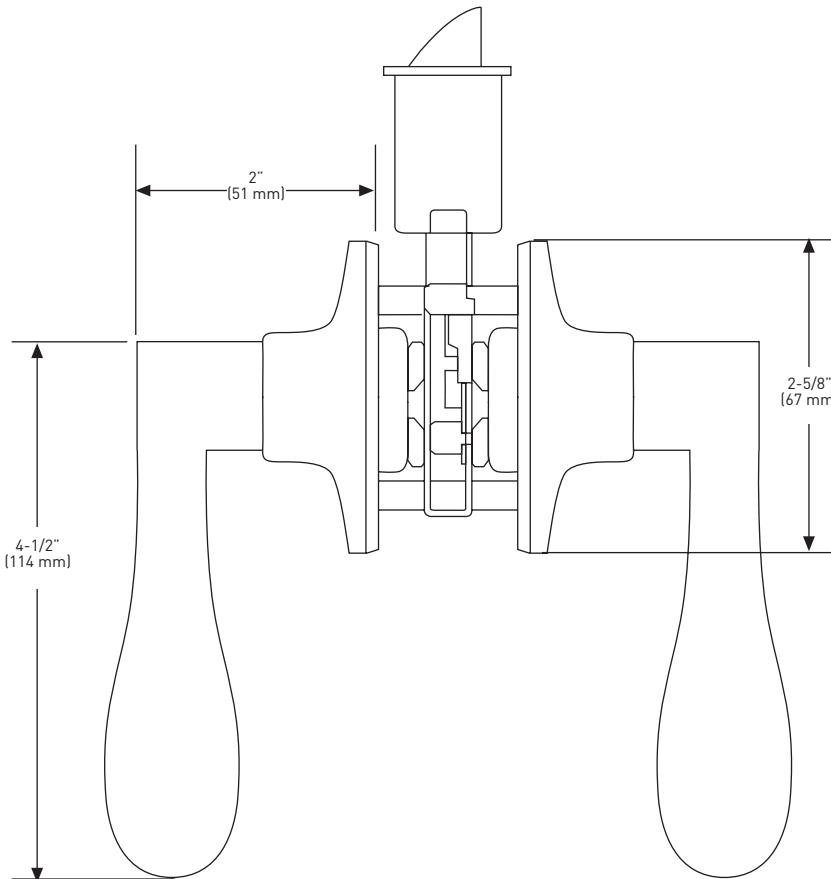
FULL KEYING SERVICES AVAILABLE
WR5 KEYWAY, PACKAGED IN KEYED DIFFERENT (KD)



20 MINUTE
OPTIONAL
FIRE RATING



MEETS ADA
STANDARDS



MEASUREMENTS SUBJECT TO A 3% VARIANCE

MEASUREMENTS ARE FOR REFERENCE ONLY. TAYMOR RESERVES THE RIGHT TO CHANGE THE PRODUCT SPECS WITHOUT NOTICE. FOR PRODUCT WARRANTY, PLEASE VISIT TAYMOR WEBSITE FOR DETAILS

BRISTOL				
BUILDER PACK	PRIVACY	PASSAGE	INSIDE TRIM*	DUMMY*
SATIN NICKEL 15	33-D006024SNRAR	33-D006034SNR	33-HL0060SN__	33-D00604SN__
MATTE BLACK 19	—	—	33-HL0060BLK__	33-D00604BLK__
CASE QTY. 20				
RETAIL PACK	ENTRY - KD	PRIVACY	PASSAGE	
AGED BRONZE 10B+	34-FV006064BRRAR	34-FV006024BRRAR	34-FV006034BRNR	—
SATIN NICKEL 15	34-FV006064SNRAR	34-FV006024SNRAR	34-FV006034SNR	—
MATTE BLACK 19	34-FV006064BKRAR	34-FV006024BKRAR	34-FV006034BLKR	—
CASE QTY. 4				

*PLEASE SELECT "R" OR "L" FOR RIGHT OR LEFT HANDING AT END OF ITEM NUMBER

