

FEATURES

- › BHMA/ANSI A156.2 SERIES 4000 GRADE 2
- › ADJUSTABLE BACKSET
- › FOR 1 3/8" - 1 3/4" (35mm TO 45mm) THICK DOOR
- › FITS RIGHT HAND AND LEFT HAND DOORS
- › ALL LOCKS ARE PACKAGED WITH 1-3/4" x 2-1/4" "T" STRIKES AS STANDARD



OXFORD BALL KNOB



WINDSOR LEVERSET



SINGLE CYLINDER DEADBOLT



FULL KEYING SERVICES AVAILABLE

6-pin SC4 keyway, packaged keyed different

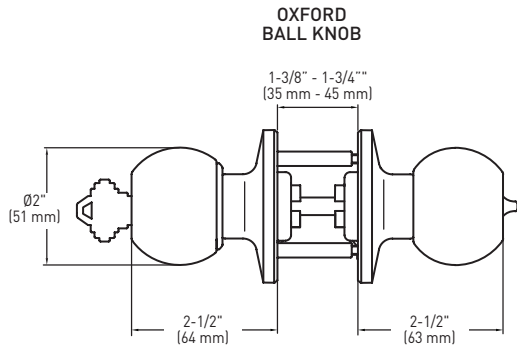


FIRE RATED

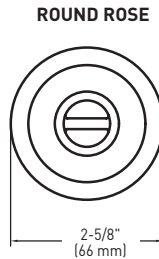
Meets c-UL and UL 3-hour fire rating standard

ANSI GRADE 2

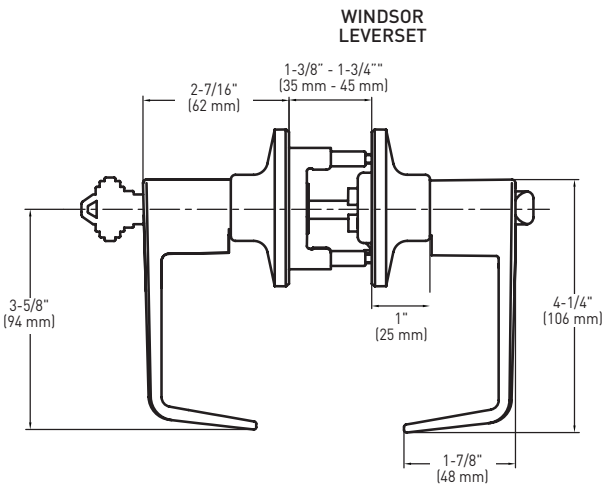
GRADE 2



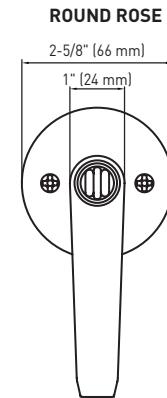
OXFORD BALL KNOB



ROUND ROSE

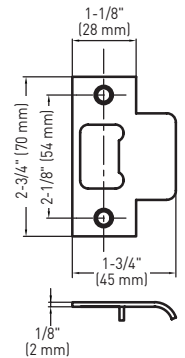


WINDSOR LEVERSET

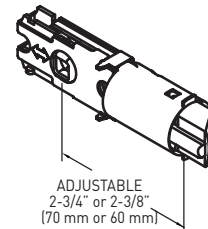


ROUND ROSE

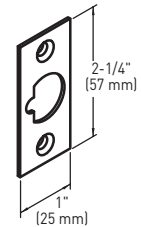
OXFORD & WINDSOR STRIKE



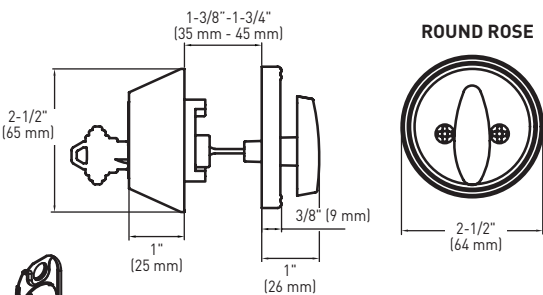
OXFORD & WINDSOR 2-IN-1 ENTRY LATCH



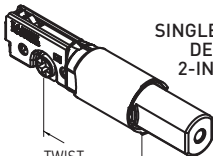
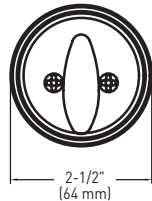
ADJUSTABLE 2-3/4" or 2-3/8" (70 mm or 60 mm)



SINGLE CYLINDER DEADBOLT

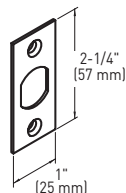


ROUND ROSE



TWIST ADJUSTABLE 2-3/4" or 2-3/8" (70 mm or 60 mm)

SINGLE CYLINDER DEADBOLT 2-IN-1 LATCH



OXFORD BALL KNOB - RETAIL PACK COMMERCIAL GRADE 2 TUBULAR MECHANISM

	32D SATIN STAINLESS STEEL	CASE PACK
ENTRY - ENTRANCE/OFFICE LEVERSET (INSIDE TURN BUTTON)	32-V1653	3
PRIVACY - RESTROOM LEVERSET (INSIDE TURN BUTTON)	32-V1640	4
PASSAGE - HALL/CLOSET LEVERSET	32-V1610	4
STOREROOM	32-V1680	4

WINDSOR LEVERSET - RETAIL PACK COMMERCIAL GRADE 2 TUBULAR MECHANISM

ENTRY - ENTRANCE/OFFICE LEVERSET (INSIDE TURN BUTTON)	32-V1853	4
PRIVACY - RESTROOM LEVERSET (INSIDE TURN BUTTON)	32-V1840	4
PASSAGE - HALL/CLOSET LEVERSET	32-V1810	4
STOREROOM	32-V1880	4

DEADBOLT - RETAIL PACK

SINGLE CYLINDER DEADBOLT	32-FV450	3
--------------------------	----------	---