

### SPECIFICATIONS

- › ADA THUMBTURN
- › CONCEALED SCREW MOUNT
- › INCLUDES ANTI-PRY COLLAR
- › UNIVERSAL 6-IN-1 LATCH
- › HIGH TENSILE STEEL ANTI-SAW DEADBOLT WITH 1" THROW
- › DEADBOLT FITS 2-1/8" (54 mm) OR 1-1/2" (38 mm) BORE HOLE
- › FITS STANDARD DOOR THICKNESS: 1-3/4" (45 mm) TO 2-1/8" (55 mm)
- › HIGH SECURITY DEADBOLT STRIKE



GRADE  
**2**

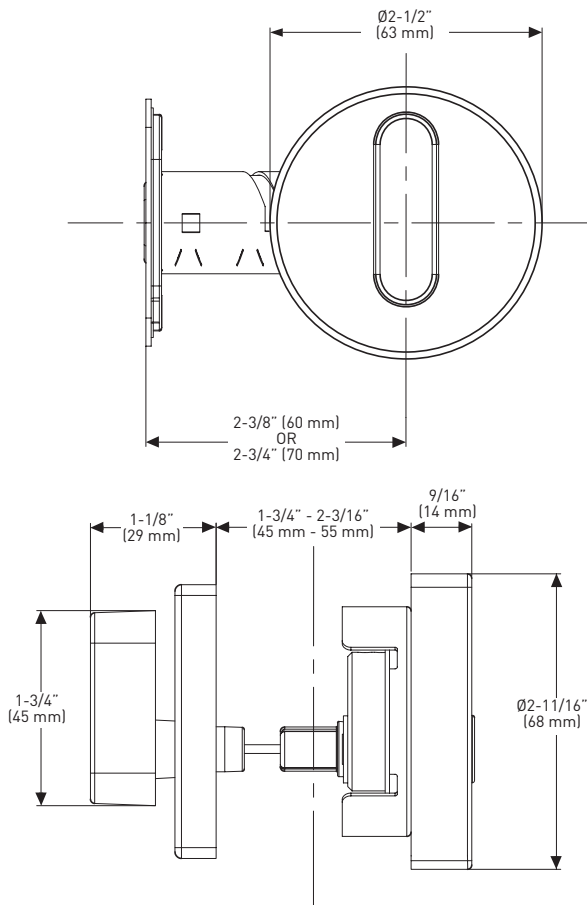
ANSI GRADE 2



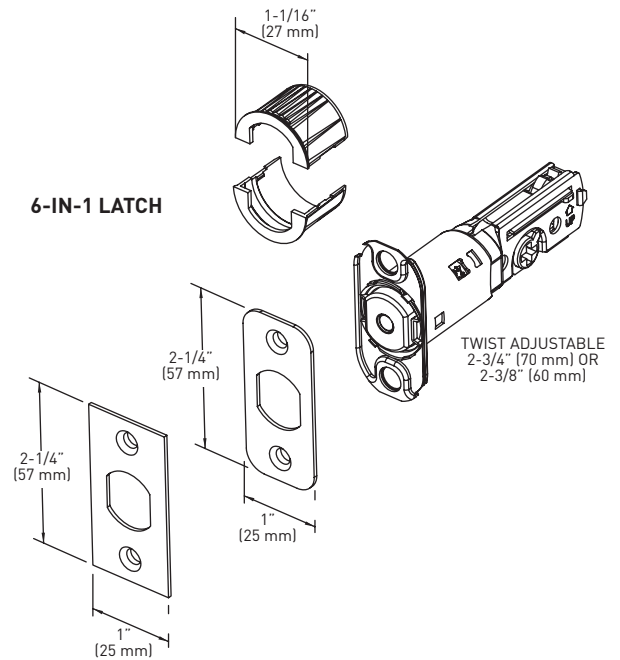
LIMITED LIFETIME MECHANICAL & FINISH WARRANTY



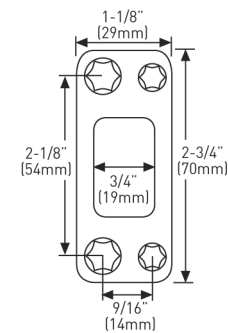
### LOCK ASSEMBLY



### 6-IN-1 LATCH



### HIGH SECURITY STRIKE



MEASUREMENTS SUBJECT TO A 3% VARIANCE

MEASUREMENTS ARE FOR REFERENCE ONLY. TAYMOR RESERVES THE RIGHT TO CHANGE THE PRODUCT SPECS WITHOUT NOTICE. FOR PRODUCT WARRANTY, PLEASE VISIT TAYMOR WEBSITE FOR DETAILS

|                        | SATIN NICKEL 15 | MATTE BLACK 19 | POLISHED CHROME 26 | SATIN CHROME 26D | CASE QTY |
|------------------------|-----------------|----------------|--------------------|------------------|----------|
| PREMIER ROUND DEADBOLT | 30-D01SC408SN   | 30-D01SC408BLK | 30-D01SC408PC      | 30-D01SC408SC    | 9        |

