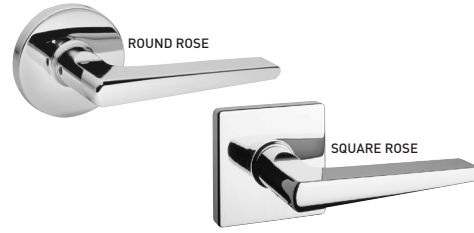


### SPECIFICATIONS

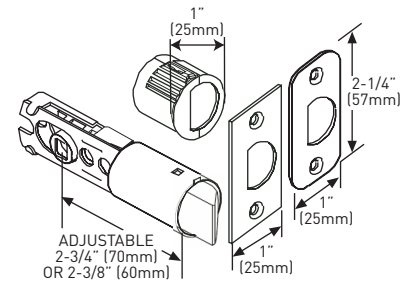
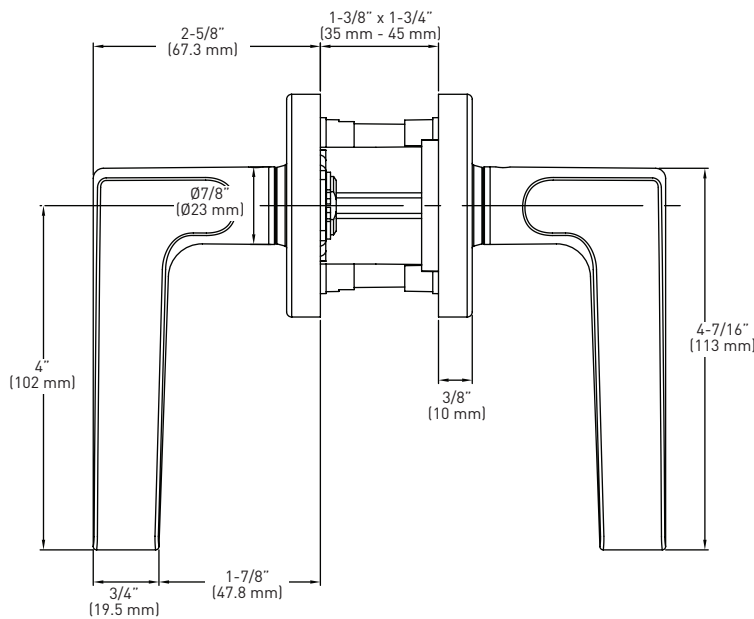
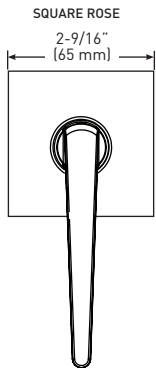
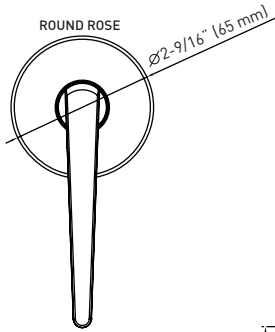
- UNIVERSAL 6-IN-1 LATCH: DRIVE IN, SQUARE MORTISE AND RADIUS CORNER WITH ADJUSTABLE BACKSET: 2-3/8" (60 mm) - 2-3/4" (70 mm)
- STANDARD BORE HOLES: 2-1/8" (54 mm)
- FITS STANDARD DOOR THICKNESS: 1-3/8" (35 mm) - 1-3/4" (45 mm)
- FULL LIP RADIUS CORNER STRIKE WITH ADJUSTABLE TAB STANDARD: 1-3/4" x 2-1/4" (45 mm x 57 mm)



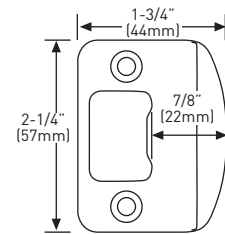
**GRADE 3**  
ANSI GRADE 3



LIFETIME MECHANICAL & FINISH WARRANTY



6-IN-1 PRIVACY/PASSAGE LATCH



FULL LIP RADIUS STRIKE

MEASUREMENTS SUBJECT TO A 3% VARIANCE

MEASUREMENTS ARE FOR REFERENCE ONLY. TAYMOR RESERVES THE RIGHT TO CHANGE THE PRODUCT SPECS WITHOUT NOTICE. FOR PRODUCT WARRANTY, PLEASE VISIT TAYMOR WEBSITE FOR DETAILS

EQUINOX - ROUND ROSE				
RETAIL PACK	PRIVACY	PASSAGE	INSIDE TRIM	DUMMY
SATIN NICKEL 15	31-FV004424SN	31-FV004434SN	-	-
POLISHED CHROME 26	31-FV004424PC	31-FV004434PC	-	-
SATIN CHROME 26D	31-FV004424SC	31-FV004434SC	-	-
CASE QTY 4				
BUILDER PACK				
SATIN NICKEL 15	30-D004424SN	30-D004434SN	30-HL0044SN	30-444SN
POLISHED CHROME 26	30-D004424PC	30-D004434PC	30-HL0044PC	30-444PC
SATIN CHROME 26D	30-D004424SC	30-D004434SC	30-HL0044SC	30-444SC
CASE QTY 20				

EQUINOX - SQUARE ROSE				
BUILDER PACK	PRIVACY	PASSAGE		DUMMY
SATIN NICKEL 15	30-D006824SN	30-D006834SN	-	30-684SN
POLISHED CHROME 26	30-D006824PC	30-D006834PC	-	30-684PC
SATIN CHROME 26D	30-D006824SC	30-D006834SC	-	30-684SC
CASE QTY 20				

