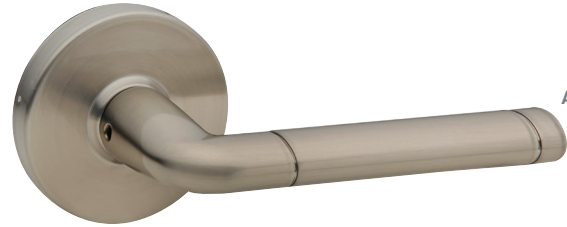


SPECIFICATIONS

- UNIVERSAL 6-IN-1 LATCH: DRIVE IN, SQUARE MORTISE AND RADIUS CORNER WITH ADJUSTABLE BACKSET: 2-3/8" (60 mm) – 2-3/4" (70 mm)
- STANDARD BORE HOLES: 2-1/8" (54 mm)
- FITS STANDARD DOOR THICKNESS: 1-3/8" (35 mm) – 1-3/4" (45 mm)
- FULL LIP RADIUS CORNER STRIKE WITH ADJUSTABLE TAB STANDARD: 1-3/4" x 2-1/4" (45 mm x 57 mm)



GRADE 3

ANSI GRADE 3



LIFETIME MECHANICAL & FINISH WARRANTY



SQUARE ROSE KIT OPTION



2-1/4" OPTIONAL EXTENSION KIT



20 MINUTE OPTIONAL FIRE RATING

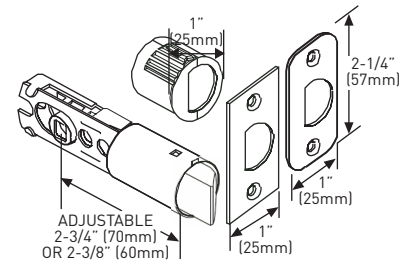
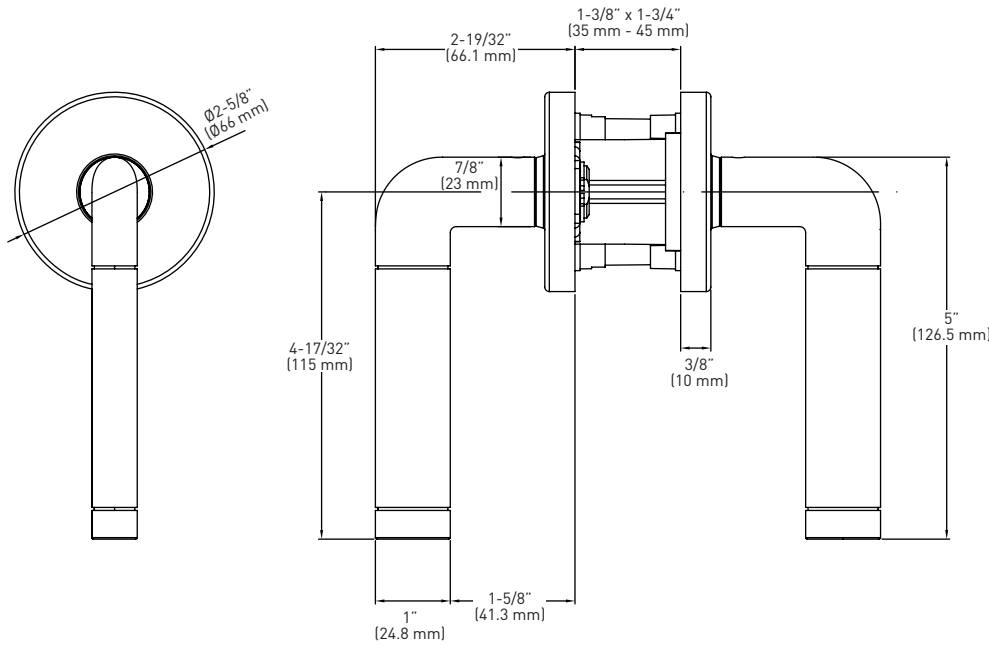


REVERSIBLE

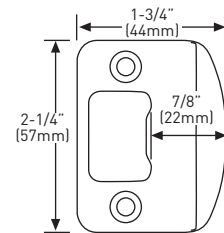


MEETS ADA STANDARDS

45° 6-IN-1 DRIVE-IN/SQUARE MORTISE/RADIUS MORTISE



6-IN-1 PRIVACY/PASSAGE LATCH



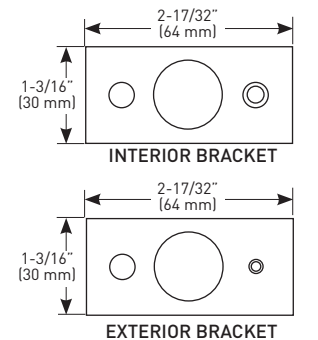
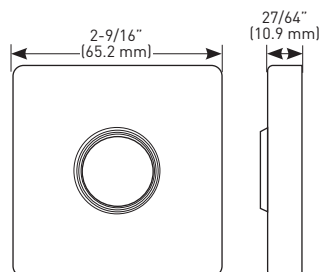
FULL LIP RADIUS STRIKE

BUILDER PACK	SATIN NICKEL 15	POLISHED CHROME 26	SATIN CHROME 26D	CASE QTY
Privacy	30-D004924SN	30-D004924PC	30-D004924SC	20
Passage	30-D004934SN	30-D004934PC	30-D004934SC	20
Inside trim	30-HL0049SN	30-HL0049PC	30-HL0049SC	20
Dummy	30-494SN	30-494PC	30-494SC	20

SQUARE ROSE KIT OPTION



SQUARE CONTEMPORARY ROSE KIT



BUILDER PACK	SATIN NICKEL 15	POLISHED CHROME 26	SATIN CHROME 26D	CASE QTY
Privacy	30-SQR0024SN	30-SQR0024PC	30-SQR0024SC	10
Passage	30-SQR0034SN	30-SQR0034PC	30-SQR0024SC	10
Dummy/Inside trim	30-SQR0044SN	30-SQR0044PC	30-SQR0024SC	10

MEASUREMENTS SUBJECT TO A 3% VARIANCE

MEASUREMENTS ARE FOR REFERENCE ONLY. TAYMOR RESERVES THE RIGHT TO CHANGE THE PRODUCT SPECS WITHOUT NOTICE. FOR PRODUCT WARRANTY, PLEASE VISIT TAYMOR WEBSITE FOR DETAILS

