

SPECIFICATIONS

- UNIVERSAL 6-IN-1 LATCH: DRIVE IN, SQUARE MORTISE AND RADIUS CORNER WITH ADJUSTABLE BACKSET: 2-3/8" (60 mm) – 2-3/4" (70 mm)
- STANDARD BORE HOLES: 2-1/8" (54 mm)
- FITS STANDARD DOOR THICKNESS: 1-3/8" (35 mm) – 1-3/4" (45 mm)
- FULL LIP RADIUS CORNER STRIKE WITH ADJUSTABLE TAB STANDARD: 1-3/4" x 2-1/4" (45 mm x 57 mm)



GRADE
3
ANSI GRADE 3



LIFETIME MECHANICAL & FINISH WARRANTY



SQUARE ROSE KIT OPTION



2-1/4" OPTIONAL EXTENSION KIT



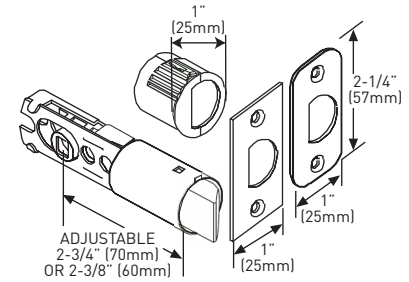
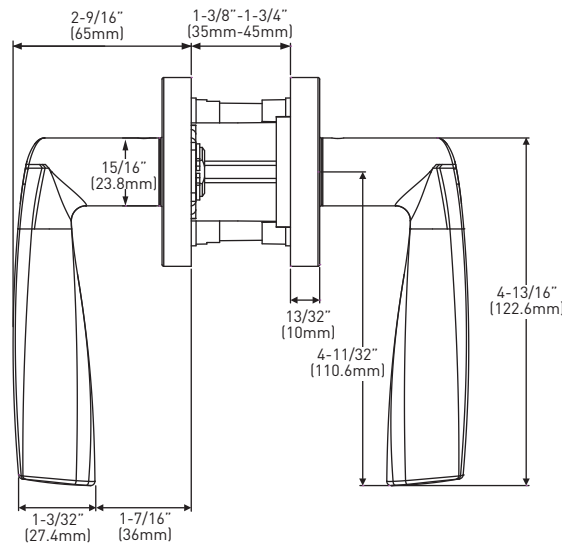
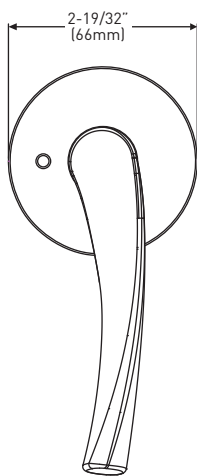
20 MINUTE OPTIONAL FIRE RATING



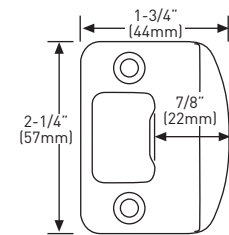
REVERSIBLE



MEETS ADA STANDARDS



6-IN-1 PRIVACY/PASSAGE LATCH



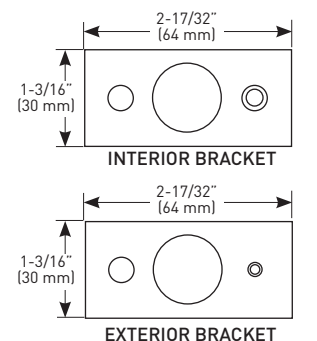
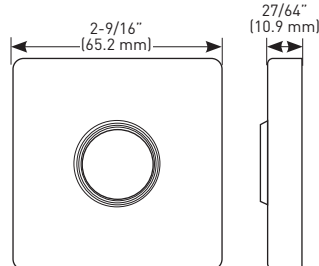
FULL LIP RADIUS STRIKE

BUILDER PACK	AGED BRONZE 10B+	SATIN NICKEL 15	POLISHED CHROME 26	CASE QTY
Privacy	30-D006324BRN	30-D006324SN	30-D006324PC	20
Passage	30-D006334BRN	30-D006334SN	30-D006334PC	20
Inside trim RH	30-HL0063BRNR	30-HL0063SNR	30-HL0063PCR	20
Inside trim LH	30-HL0063BRNL	30-HL0063SNL	30-HL0063PCL	20
Dummy RH	30-634BRNR	30-634SNR	30-634PCR	20
Dummy LH	30-634BRNL	30-634SNL	30-634PCL	20
RETAIL PACK				
Privacy	-	31-FV006324SN	-	4
Passage	-	31-FV006334SN	-	4

SQUARE ROSE KIT OPTION



SQUARE CONTEMPORARY ROSE KIT



BUILDER PACK	AGED BRONZE 10B+	SATIN NICKEL 15	POLISHED CHROME 26	CASE QTY
Privacy	30-SQR0024BRN	30-SQR0024SN	30-SQR0024PC	10
Passage	30-SQR0034BRN	30-SQR0034SN	30-SQR0034PC	10
Dummy/Inside trim	30-SQR0044BRN	30-SQR0044SN	30-SQR0044PC	10

MEASUREMENTS SUBJECT TO A 3% VARIANCE

MEASUREMENTS ARE FOR REFERENCE ONLY. TAYMOR RESERVES THE RIGHT TO CHANGE THE PRODUCT SPECS WITHOUT NOTICE. FOR PRODUCT WARRANTY, PLEASE VISIT TAYMOR WEBSITE FOR DETAILS

