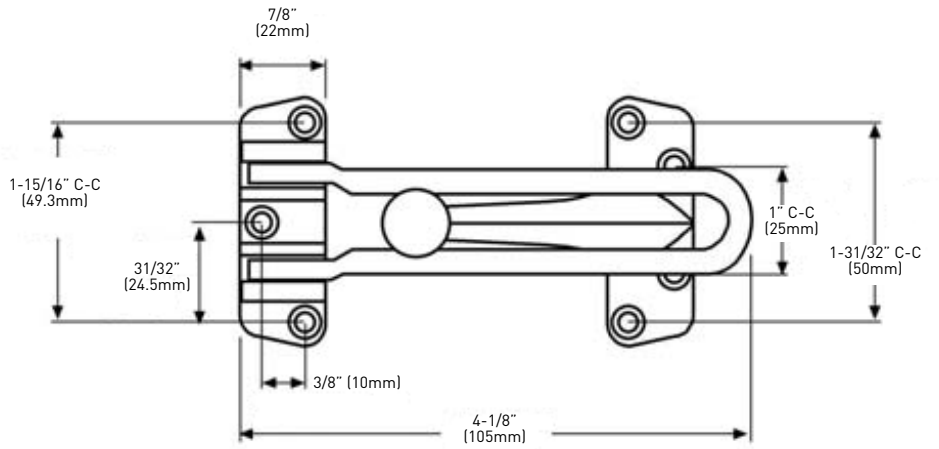
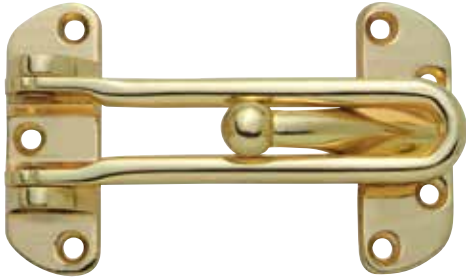


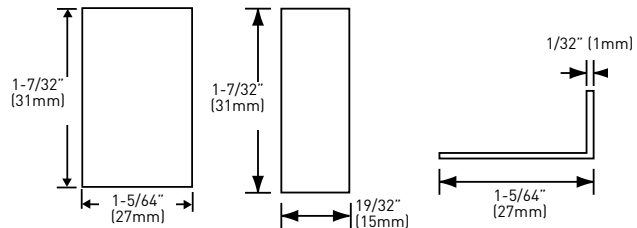
DOOR SECURITY



DOOR GUARD

- > SOLID METAL
- > ALLOWS PARTIAL DOOR OPENING WHILE DETERRING FORCED ACCESS
- > INCLUDES MOUNTING SCREWS

CARDED	3 POLISHED BRASS	10B OIL RUBBED BRONZE	15 SATIN NICKEL	26D SATIN CHROME	CASE PACK
DOOR GUARD	25-D3080B	25-D3080ORB	25-D3080SN	25-D3080SC	5



DOOR FRAME PROTECTOR

- > PROTECTS DOOR FRAME FROM OPEN ARM OF DOOR GUARD
- > ALUMINUM

BULK	DULL CHROME	CASE PACK
DOOR FRAME PROTECTOR	25-3082DC	50

