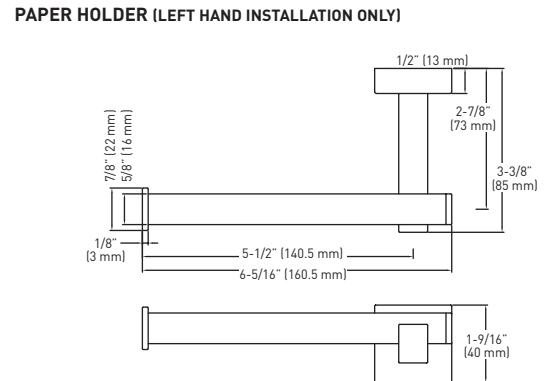
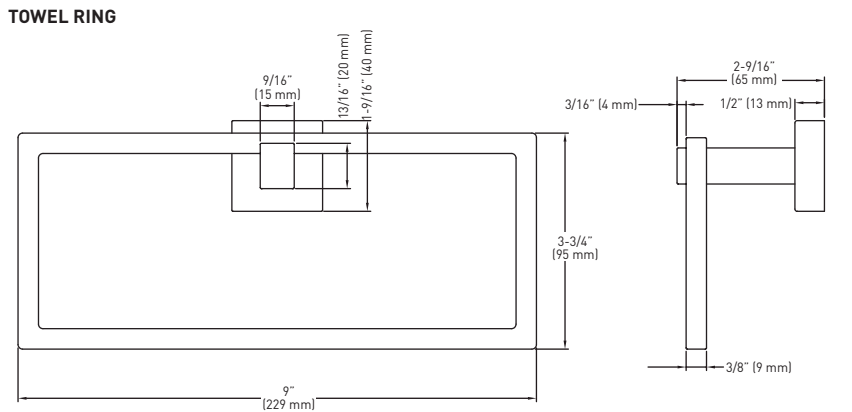
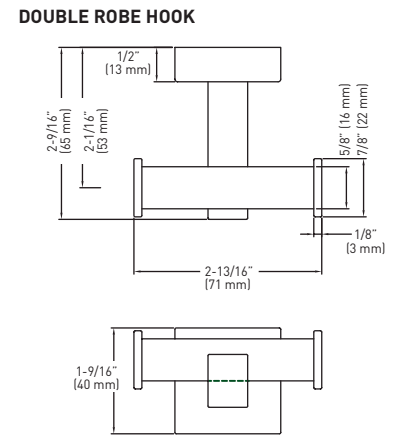
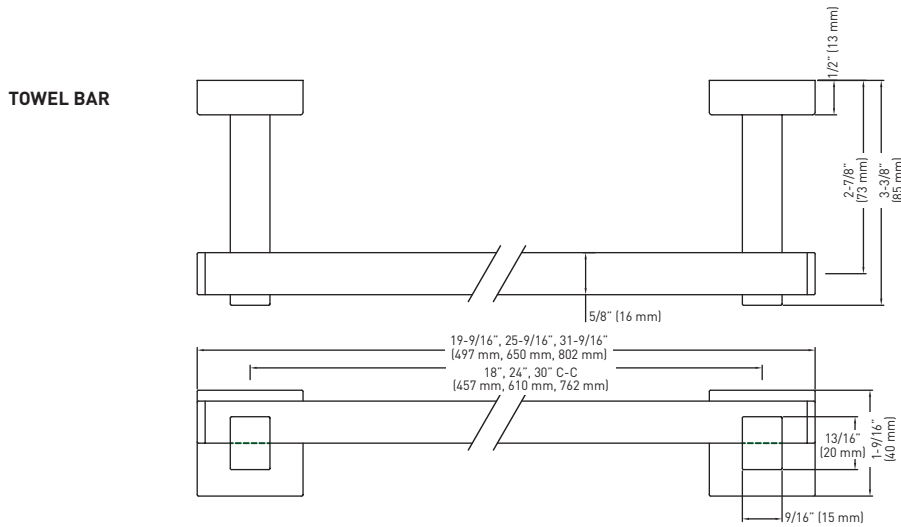
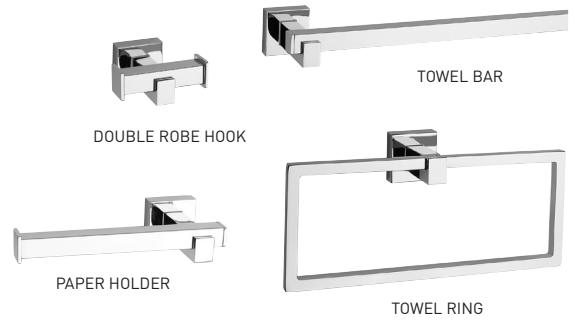


FEATURES

- › INCLUDES SOLID ZINC DIE CAST MOUNTING PLATES: 7/8" x 7/8" (22 mm x 22 mm); NYLON ANCHORS AND STEEL PHILLIPS HEAD SCREWS: #8 x 1-1/4" (32 mm)
- › ZINC & STAINLESS STEEL



MEASUREMENTS SUBJECT TO A 3% VARIANCE
MEASUREMENTS ARE FOR REFERENCE ONLY. TAYMOR RESERVES THE RIGHT TO CHANGE THE PRODUCT SPECS WITHOUT NOTICE. FOR PRODUCT WARRANTY, PLEASE VISIT TAYMOR WEBSITE FOR DETAILS

BUILDER PACK	MATTE BLACK 19	POLISHED CHROME 26	MATERIAL	CASE PACK
18" TOWEL BAR	04-32818BLK	04-32818	ZINC/STAINLESS STEEL	10
24" TOWEL BAR	04-32824BLK	04-32824	ZINC/STAINLESS STEEL	10
30" TOWEL BAR	04-32830BLK	04-32830	ZINC/STAINLESS STEEL	10
DOUBLE ROBE HOOK	04-32802BLK	04-32802	ZINC/STAINLESS STEEL	10
TOWEL RING	04-32804BLK	04-32804	ZINC	10
PAPER HOLDER	04-32848BLK	04-32848	ZINC/STAINLESS STEEL	10

