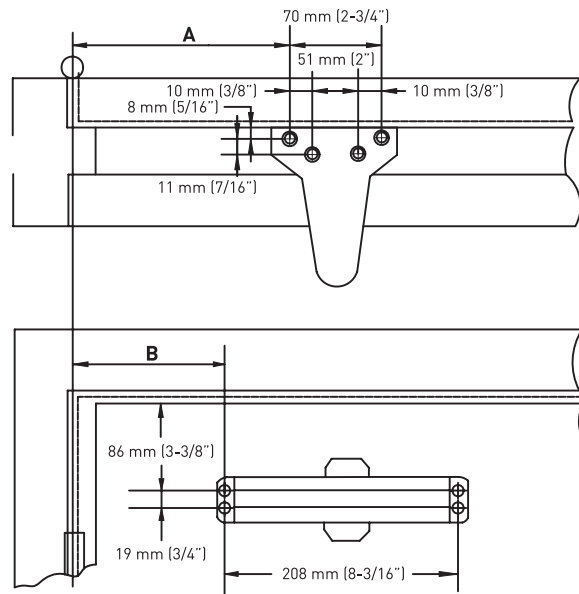
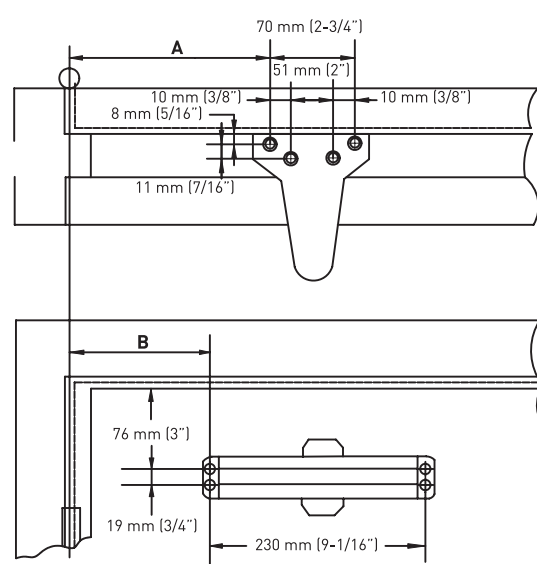


INSTALLATION INSTRUCTIONS FOR PARALLEL ARM (PUSH SIDE) MOUNTING

13-552/13-553



13-554



- LEFT HAND DOOR SHOWN
- RIGHT HAND DOOR OPPOSITE
- ILLUSTRATION NOT TO SCALE

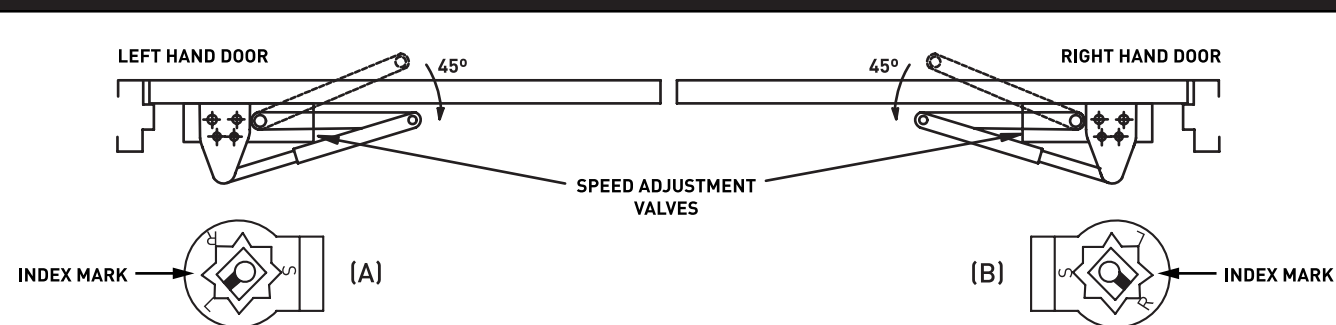
DIMENSION CHART

OPENING	Size 2 & 3 DIM. (A)	Size 2 & 3 DIM. (B)	Size 4 DIM. (A)	Size 4 DIM. (B)
TO 120°	273 mm (10-3/4")	199 mm (7-13/16")	197 mm (7-3/4")	156 mm (6-1/8")
120° - 180°	218 mm (8-9/16")	143 mm (5-5/8")	146 mm (5-3/4")	105 mm (4-1/8")

INSTALLATION INSTRUCTIONS

1. Select degree of opening from the table above. Using the paper template enclosed, mark four (4) holes on door for door closer and four (4) holes on frame for parallel arm bracket.
2. Drill pilot holes in door and frame for screws.
3. Mount closer body on door using screws provided. Note: Speed adjustment valves must be positioned away from hinge edge.
4. Mount parallel arm bracket on frame using screws provided.
5. Using a wrench on the square shaft at bottom of closer, rotate shaft approximately 45° towards hinge edge of door. Hold and place main arm shaft on proper index mark as illustrated. For left hand door "L" (Illustration A). For right hand door "R" (Illustration B). Tighten arm screw with lock washer securely.
6. Remove arm shoe from forearm and discard (arm shoe is not used in parallel mounting). Install rod end of forearm to parallel arm bracket using screw provided.
7. Adjust length of forearm so that main arm is parallel to door.
8. Snap pinion cap over shaft on bottom of closer.
9. Adjust closing and latching speed following instructions on page 1.

PARALLEL ARM INSTALLATION

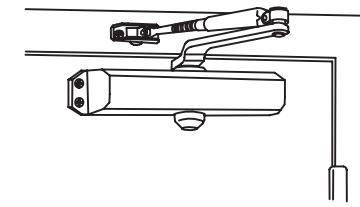


Taymor

INSTALLATION INSTRUCTIONS 13-550 SERIES DOOR CLOSER (NON-HANDED)

REGULAR ARM INSTALLATION

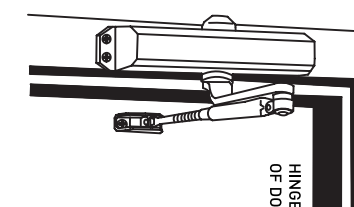
Closer installs on PULL/HINGE side of door



See Page 2

TOP JAMB INSTALLATION

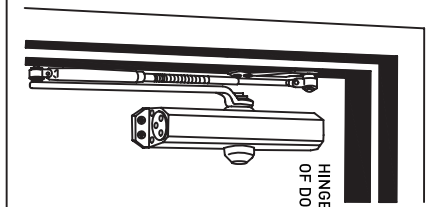
Closer installs on Frame on PUSH/STOP side of door.



See Page 3

PARALLEL ARM INSTALLATION

Closer installs on PUSH/STOP side of door.



See Page 4

DOOR CLOSER ADJUSTMENT VALVES

PLEASE NOTE: CLOSING and LATCHING speeds are controlled by two (2) separate adjustment valves. Adjust the CLOSING speed first, then adjust the LATCHING speed.

1. CLOSING speed adjustment is accomplished by full rotations of the closing speed adjustment valve.
 - Turn the speed adjustment valve CLOCKWISE for a SLOWER closing speed.
 - Turn the speed adjustment valve COUNTER-CLOCKWISE for a FASTER closing speed.
2. LATCHING speed adjustment is accomplished by full rotations of the latching speed adjustment valve.
 - Turn the speed adjustment valve CLOCKWISE for a SLOWER latching speed.
 - Turn the speed adjustment valve COUNTER-CLOCKWISE for a FASTER latching speed.

CAUTION!

DO NOT turn speed adjustment valves more than two (2) full turns counter-clockwise from the factory pre-set position, as these could become dislodged from the door closer body, resulting in leakage and device failure.

CLOSER ADJUSTMENT VALVES

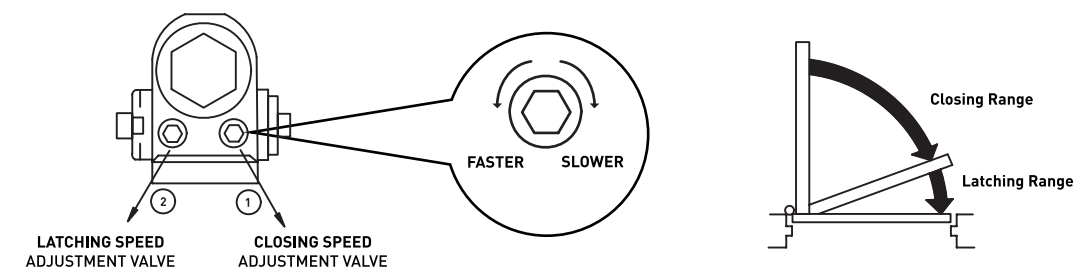
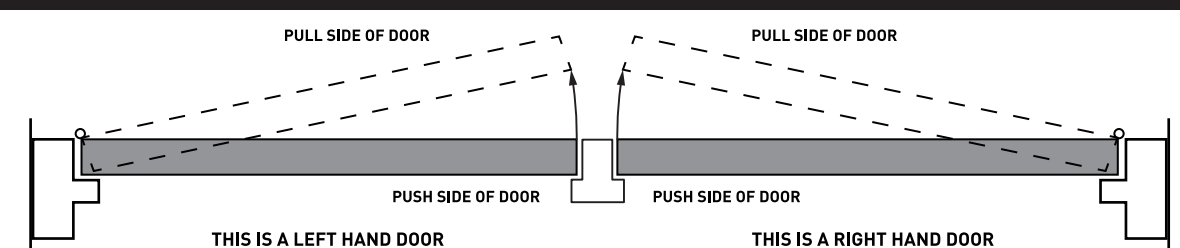
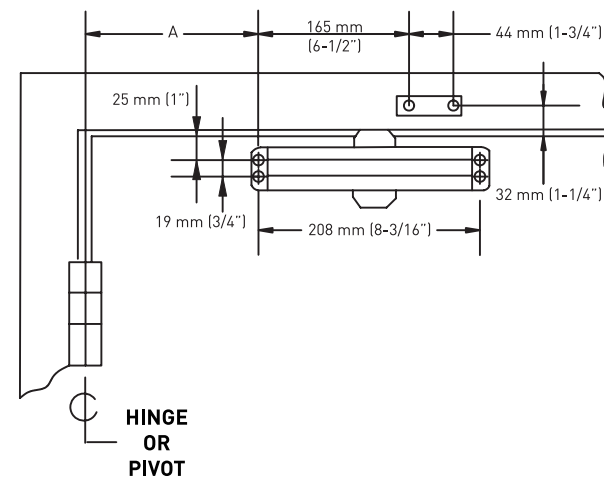


CHART TO DETERMINE HANDING OF DOOR

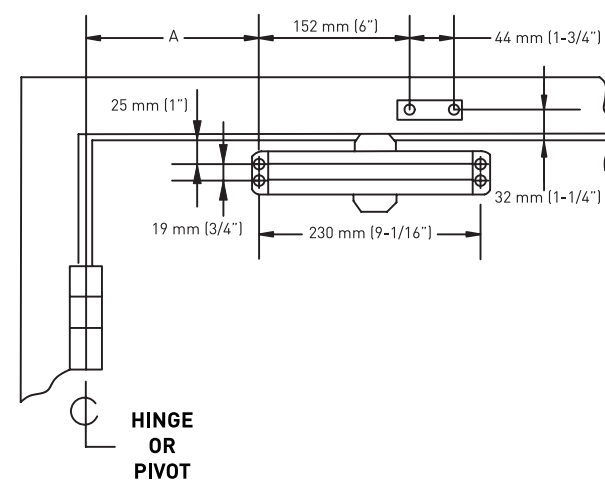


INSTALLATION INSTRUCTIONS FOR REGULAR ARM (PULL SIDE) MOUNTING

13-552/13-553



13-554

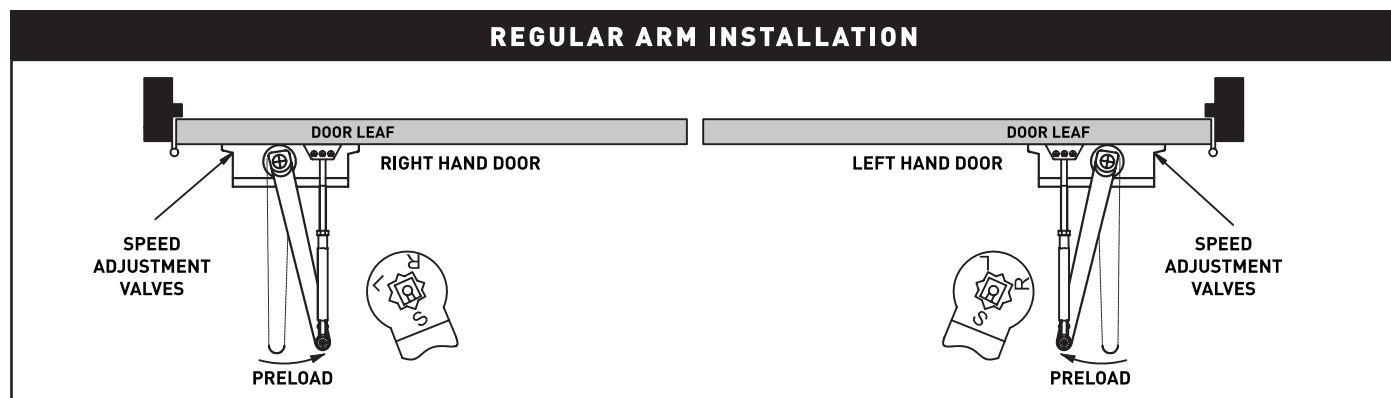


- RIGHT HAND DOOR SHOWN
- LEFT HAND DOOR OPPOSITE
- ILLUSTRATION NOT TO SCALE

DIMENSION CHART		
OPENING	Size 2 & 3 DIM. (A)	Size 4 DIM. (A)
TO 120°	165mm (6-1/2")	152 mm (6")
120° - 180°	102 mm (4")	89 mm (3-1/2")

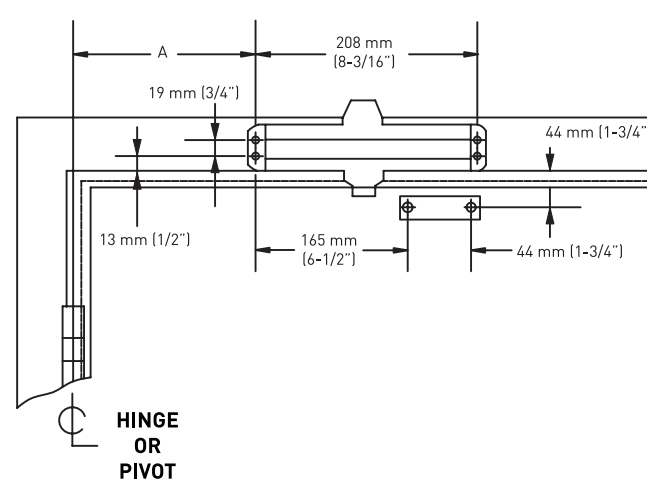
INSTALLATION INSTRUCTIONS

1. Select degree of opening from the table above. Using the paper template enclosed, mark four (4) holes on door for door closer and two (2) holes on frame for the arm shoe.
2. Drill pilot holes in door and frame for screws.
3. Install adjustable forearm / arm shoe assembly to door frame using screws provided.
4. Mount closer body on door using screws provided. Note: Speed adjustment valves must be positioned toward the hinge edge.
5. Install main arm to top pinion shaft, perpendicular to door as shown below and secure tightly using screw provided.
6. Adjust length of forearm so that forearm is perpendicular to door when assembled. To preload main arm (see illustration below), secure forearm to main arm using screw provided.
7. Snap pinion cap over shaft on bottom of closer.
8. Adjust closing and latching speed following instructions on page 1.

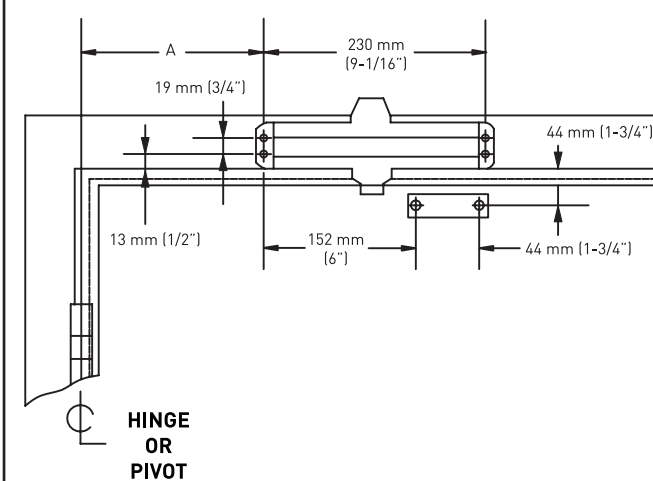


INSTALLATION INSTRUCTIONS FOR TOP JAMB (PUSH SIDE) MOUNTING

13-552/13-553



13-554



- LEFT HAND DOOR SHOWN
- RIGHT HAND DOOR OPPOSITE
- ILLUSTRATION NOT TO SCALE

DIMENSION CHART		
OPENING	Size 2 & 3 DIM. (A)	Size 4 DIM. (A)
TO 120°	165 mm (6-1/2")	152 mm (6")
120° - 180°	102 mm (4")	89 mm (3-1/2")

INSTALLATION INSTRUCTIONS

1. Select degree of opening from the table above. Using the paper template enclosed, mark four (4) holes on door for door closer and two (2) holes on frame for the arm shoe.
2. Drill pilot holes in door and frame for screws.
3. Install adjustable forearm / arm shoe assembly to door using screws provided.
4. Mount closer body on door frame using screws provided. Note: Speed adjustment valves must be positioned toward the hinge edge.
5. Install main arm to top pinion shaft, perpendicular to door as shown below and secure tightly using screw provided.
6. Adjust length of forearm so that forearm is perpendicular to door when assembled. To preload main arm (see illustration below), secure forearm to main arm using screw provided.
7. Snap pinion cap over shaft on bottom of closer.
8. Adjust closing and latching speed following instructions on page 1.

