

Taymor® | PRODUCT SPECIFICATIONS

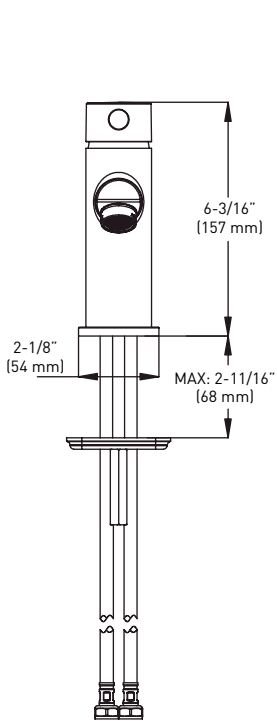
LUNA LAVATORY FAUCET



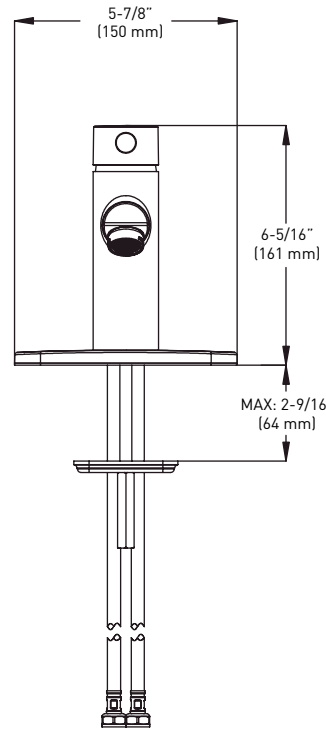
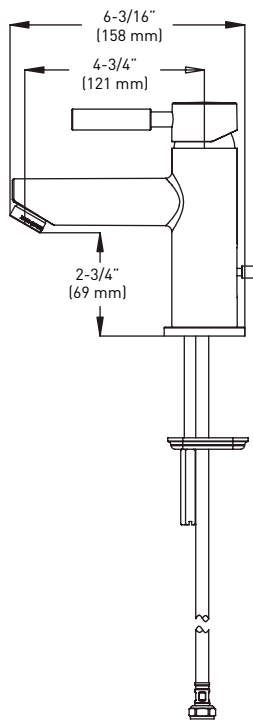
WITHOUT ESCUTCHEON PLATE



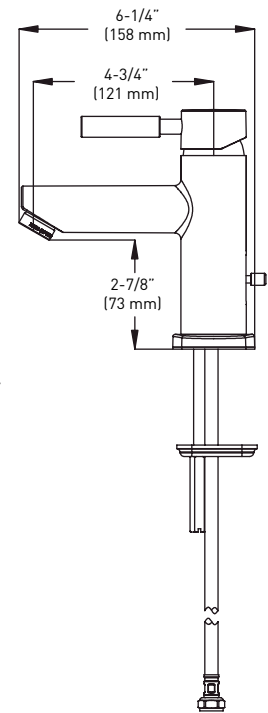
WITH ESCUTCHEON PLATE



WITHOUT ESCUTCHEON PLATE



WITH ESCUTCHEON PLATE



MEASUREMENTS SUBJECT TO A 3% VARIANCE.

CONSTRUCTION

- › METAL CONSTRUCTION WITH POLISHED CHROME FINISH
- › BRASS VALVE BODIES

MOUNTING

- › DESIGNED TO INSTALL THROUGH 1 HOLE, 1-1/4" [32 mm] MIN. DIA. ON DECKS UP TO 1-3/4" [45mm]
- › DESIGNED TO INSTALL MIN. 1-15/16" [49 mm] FROM VALVE CENTERLINE TO BACK SPLASH

INLET

- › 17" BRAIDED FLEXIBLE SUPPLY LINES WITH 3/8" [10 mm] COMPRESSION GASKET FITTINGS

OPERATION

- › PIVOT ACTION LEVER STYLE HANDLE
- › OPERATES WITH LESS THAN 5 LBS. OF FORCE

WATER-CONTROL MECHANISM

- › CARTRIDGE
- › ONE PIECE, SELF-CONTAINED CERAMIC DISC VALVE

FLOW

- › AERATOR LIMITS MAXIMUM FLOW RATE TO 1.5 GPM MAX [5.7 L/MIN.] @ 60 PSI

CODES/STANDARDS APPLICABLE

- › cUPC
- › ASME A112.18.1/CSA B125.1
- › ANSI/NSF 372
- › LOW LEAD COMPLIANT

GUARANTEE

- › LIMITED LIFETIME WARRANTY AGAINST DEFECTS IN MATERIAL AND WORK-MANSHIP TO ORIGINAL CONSUMER PURCHASER
- › 5 YEAR WARRANTY IF USED IN INDUSTRIAL, COMMERCIAL AND BUSINESS INSTALLATIONS

RETAIL PACK

POLISHED CHROME
26

CASE
PACK

LUNA SINGLE LEVER HANDLE LAVATORY FAUCET

06-4629P

6

