

# INFINITY

06-9966AS  
TUB & SHOWER FAUCET

Taymor



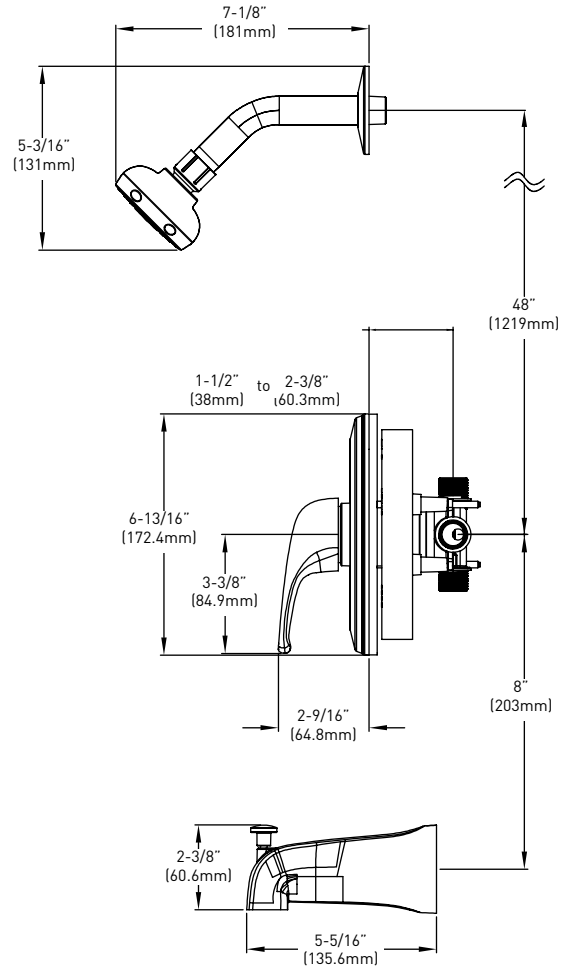
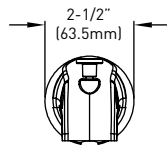
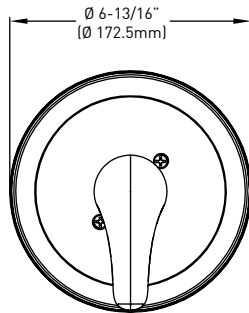
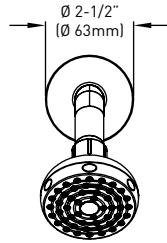
## FEATURES

- PRESSURE BALANCED SINGLE LEVER HANDLE AND SINGLE SETTING SHOWER HEAD WITH ANTI-CLOG RUBBER TIPS
- AVAILABLE IN POLISHED CHROME
- CERAMIC CARTRIDGE
- SHOWER HEAD MAXIMUM FLOW RATE: 2.0 GPM/ 7.6 LPM @ 80 PSI
- TUB SPOUT MINIMUM FLOW RATE: 2.4 GPM/9.0 LPM @ 20 PSI
- SLIP-FIT SPOUT
- FACTORY PRESSURE TESTED
- cUPC CERTIFIED / WaterSense® CERTIFIED



# INFINITY

**06-9966AS**  
TUB & SHOWER FAUCET



**CRITICAL DIMENSIONS NOT TO SCALE**

## CONSTRUCTION

- METAL CONSTRUCTION WITH POLISHED CHROME FINISH
- BRASS VALVE BODY

## VALVE

- DUAL 1/2" I.P. OR 1/2" COPPER SWEAT CONNECTIONS
- ADJUSTABLE TEMPERATURE LIMIT STOP TO CONTROL MAXIMUM HOT WATER TEMPERATURE
- PRESSURE BALANCING MECHANISM MAINTAINS SELECTED DISCHARGE TEMPERATURE TO  $\pm 2^\circ$
- BACK-TO-BACK INSTALLATION CAPABILITY

## OPERATION

- LEVER STYLE HANDLE WITH TEMPERATURE INDICATOR ON THE ESCUTCHEON

## WATER-CONTROL MECHANISM

- CARTRIDGE
- ONE-PIECE, SELF CONTAINED CERAMIC DISC VALVE

## FLOW

- SHOWERHEAD IS LIMITED TO 2.0 GPM (7.6 L/MIN.)

## CODES/STANDARDS APPLICABLE


- cUPC CERTIFIED
- ASME A112.18.1
- ASSE 1016

## GUARANTEE

- LIMITED LIFETIME GUARANTEE AGAINST DEFECTS IN MATERIAL AND WORKMANSHIP TO ORIGINAL CONSUMER PURCHASER
- 5 YEAR WARRANTY IF USED IN INDUSTRIAL, COMMERCIAL AND BUSINESS INSTALLATIONS



**MEETS ADA STANDARDS**

	DESCRIPTION	POLISHED CHROME	CASE QTY.
	PRESSURE BALANCED SINGLE LEVER HANDLE TUB & SHOWER FAUCET AND SINGLE SETTING SHOWER HEAD WITH ANTI-CLOG TIPS	06-9966AS	4