

SUNGLOW

06-9906

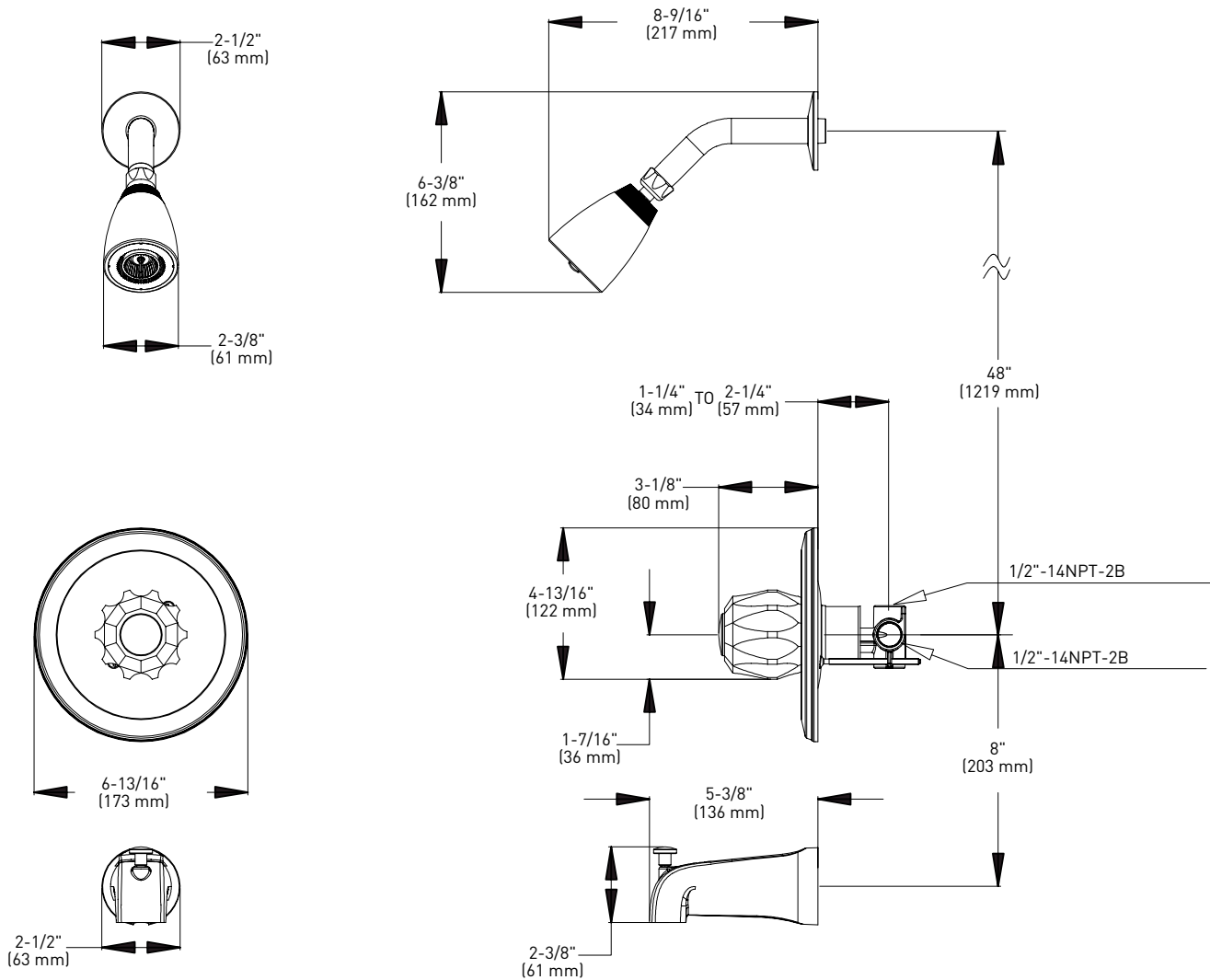
TUB & SHOWER FAUCETS



SPECIFICATIONS

- › SINGLE-SETTING FULL SPRAY SHOWER HEAD
- › ACRYLIC HANDLE WITH HOT AND COLD TEMPERATURE INDEXING
- › INCLUDES VALVE CONSTRUCTED OF FORGED SOLID BRASS
- › SCREW-ON TUB SPOUT
- › SHOWER HEAD MAXIMUM FLOW RATE: 2.5 GPM/ 9.5 LPM @ 80 PSI
- › TUB SPOUT MINIMUM FLOW RATE: 2.4 GPM/ 9 LPM @ 20 PSI
- › FACTORY PRESSURE TESTED
- › cUPC CERTIFIED

CRITICAL DIMENSIONS NOT TO SCALE



FEATURES

- SINGLE ACRYLIC HANDLE AND ONE SETTING SHOWER HEAD
- SCREW-ON TUB SPOUT

CONSTRUCTION

- METAL CONSTRUCTION WITH POLISHED CHROME FINISH
- BRASS VALVE BODY

VALVE

- 1/2" I.P. THREADED FEMALE CONNECTIONS

OPERATION

- PIVOT ACTION CLEAR KNOB HANDLE

WATER-CONTROL MECHANISM

- ROTATING STAINLESS STEEL BALL TYPE WITH NON-METALLIC SEATS

FLOW

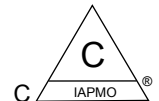
- SHOWERHEAD IS LIMITED TO 2.5 GPM (9.5 L/MIN.)

CODES/STANDARDS APPLICABLE

- HOMOLOGUÉ cUPC
- ASME A112.18.1/CSA B125.1

GUARANTEE

- LIMITED LIFETIME GUARANTEE AGAINST DEFECTS IN MATERIAL AND WORKMANSHIP TO ORIGINAL CONSUMER PURCHASER
- 5 YEAR WARRANTY IF USED IN INDUSTRIAL, COMMERCIAL AND BUSINESS INSTALLATIONS



DESCRIPTION	POLISHED CHROME	CASE QTY.
SINGLE ACRYLIC HANDLE AND ONE SETTING SHOWER HEAD	06-9906	4

