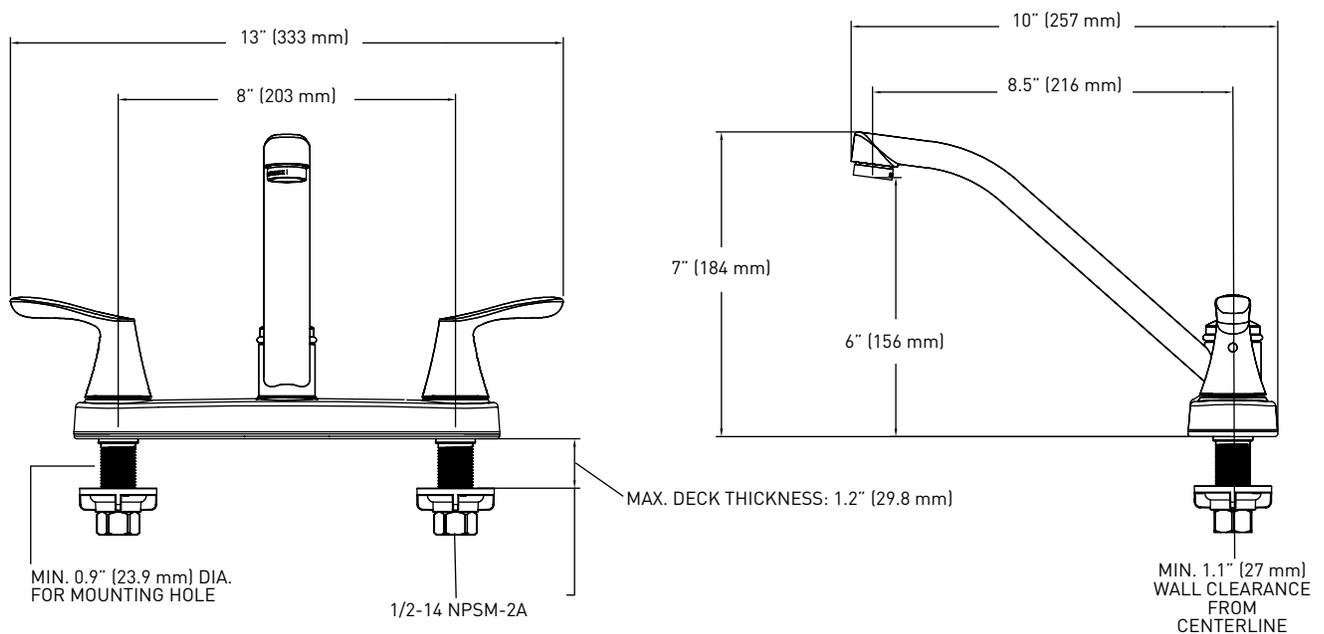


### FEATURES

- › TWO LEVER HANDLES
- › 180-DEGREE ROTATION
- › WASHERLESS CARTRIDGE
- › 3-HOLE 8" INSTALLATION
- › MAXIMUM FLOW RATE OF 2.2 GPM (8.3 LPM) AT 60 PSI



### MATERIAL

- › PREMIUM METAL CONSTRUCTION

### INSTALLATION

- › THREE HOLE INSTALLATION

### CODES/STANDARDS

- › MEETS OR EXCEEDS ASME A112.18.1/CSA B125.1
- › CERTIFICATIONS: CSA
- › CODE COMPLIANCE: ANSI/NSF 61, ANSI/NSF 372, ADA



MEETS ADA  
STANDARDS

RETAIL PACK

KITCHEN FAUCET

POLISHED CHROME 26

06-8832

CASE QTY

6

MEASUREMENTS SUBJECT TO A 3% VARIANCE

MEASUREMENTS ARE FOR REFERENCE ONLY. TAYMOR RESERVES THE RIGHT TO CHANGE THE PRODUCT SPECS WITHOUT NOTICE. FOR PRODUCT WARRANTY, PLEASE VISIT TAYMOR WEBSITE FOR DETAILS