

## DEVON

06-8724SBLK / 06-8724S / 06-8724SSS  
KITCHEN FAUCET



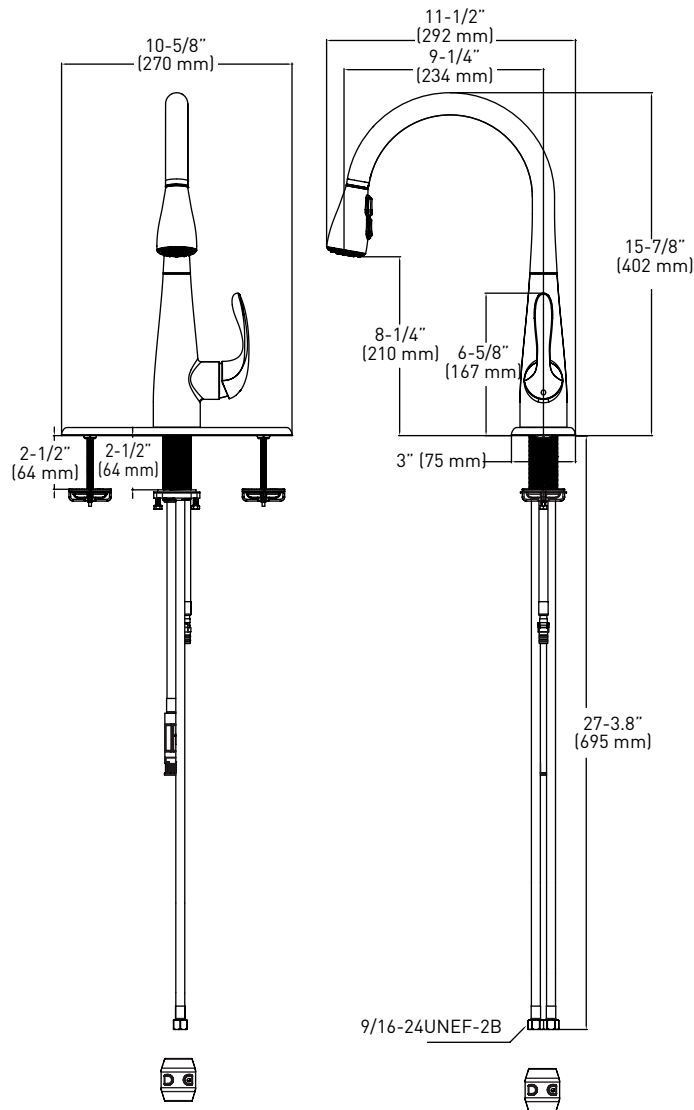
### FEATURES

- SINGLE LEVER HANDLE WITH PULL-DOWN SPRAY AND SWING SPOUT
- AVAILABLE IN POLISHED CHROME, SATIN STAINLESS STEEL AND MATTE BLACK
- SINGLE HOLE MOUNT WITH OPTIONAL ESCUTCHEON TO FIT STANDARD 8" THREE HOLE SINK
- CERAMIC CARTRIDGE
- MAXIMUM FLOW RATE: 2.2 GPM/8.3 LPM @ 60 PSI
- SOLID BRASS VALVE BODY
- FACTORY PRESSURE TESTED
- cUPC CERTIFIED
- LOW LEAD COMPLIANT



POLISHED CHROME  
WITH OPTIONAL ESCUTCHEON

CRITICAL DIMENSIONS NOT TO SCALE



**CONSTRUCTION**

- METAL CONSTRUCTION WITH POLISHED CHROME FINISH
- BRASS VALVE BODY

**MOUNTING**

- DESIGNED TO INSTALL THROUGH 1 HOLE, 1-1/4" [32mm] MIN. DIA. ON DECKS UP TO 2-1/2" [63mm], MIN. 3-1/8" [80mm] FROM VALVE CENTERLINE TO BACK SPLASH
- OPTIONAL ESCUTCHEON INCLUDED TO INSTALL THROUGH 3 HOLES WITH 8" [203mm] CENTERS, ON DECKS UP TO 2-9/16" [65mm]

**INLET**

- 30" BRAIDED FLEXIBLE SUPPLY LINES WITH 3/8" [10mm] COMPRESSION GASKET FITTINGS

**OPERATION**

- PIVOT ACTION LEVER STYLE HANDLE
- OPERATES WITH LESS THAN 5 LBS. OF FORCE

**WATER-CONTROL MECHANISM**

- CARTRIDGE
- ONE-PIECE, SELF-CONTAINED CERAMIC DISC VALVE

**FLOW**

- AERATOR LIMITS MAXIMUM FLOW RATE TO 2.2 GPM MAX. [8.3 L/MIN.] @ 60 PSI

**CODES/STANDARDS APPLICABLE**

- cUPC
- ASME A112.18.1/CSA B125.1
- ANSI/NSF 372
- LOW LEAD COMPLIANT

**GUARANTEE**

- LIMITED LIFETIME GUARANTEE AGAINST DEFECTS IN MATERIAL AND WORKMANSHIP TO ORIGINAL CONSUMER PURCHASER
- 5 YEAR WARRANTY IF USED IN INDUSTRIAL, COMMERCIAL AND BUSINESS INSTALLATIONS



DESCRIPTION	MATTE BLACK	POLISHED CHROME	SATIN STAINLESS STEEL	CASE QTY.
SINGLE LEVER KITCHEN FAUCET WITH PULL-DOWN SPRAY AND SWING SPOUT	06-8724SBLK	06-8724S	06-8724SSS	6

