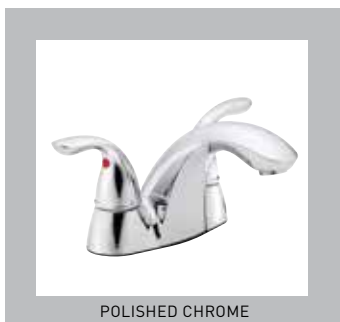


COSMOS
06-4682P / 06-4682PSN
BATHROOM FAUCET

Taymor



PVD SATIN NICKEL



POLISHED CHROME

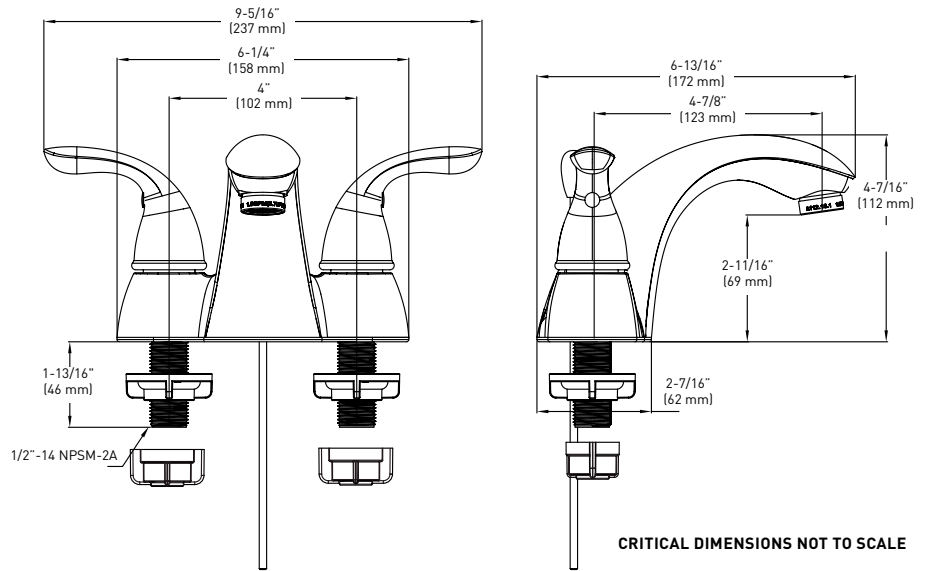
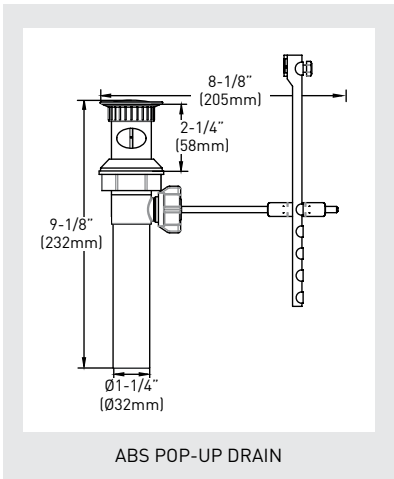
FEATURES

- TWO LEVER HANDLES WITH HOT & COLD HANDLE INSERTS
- AVAILABLE IN POLISHED CHROME AND PVD SATIN NICKEL
- 4" CENTER-SET MOUNT
- CERAMIC CARTRIDGE
- POP-UP DRAIN ASSEMBLY INCLUDED
- MAXIMUM FLOW RATE: 1.5 GPM/5.7 LPM @ 60 PSI
- FACTORY PRESSURE TESTED

- cUPC CERTIFIED / WaterSense® CERTIFIED
- LOW LEAD COMPLIANT

COSMOS

06-4682P / 06-4682PSN
BATHROOM FAUCET



CONSTRUCTION

- METAL CONSTRUCTION WITH VARIOUS FINISHES IDENTIFIED BY SUFFIX
- PLASTIC VALVE BODIES

MOUNTING

- DESIGNED TO INSTALL THROUGH 3 HOLES, 13/16" (21mm) MIN. DIA. WITH 4" (102mm) CENTERS, ON DECKS UP TO 7/8" (23mm)
- DESIGNED TO INSTALL MIN. 1-5/8" (42mm) FROM VALVE CENTERLINE TO BACK SPLASH

INLET

- 1/2"-14 NPSM THREADED MALE INLET SHANKS

OPERATION

- QUARTER-TURN LEVER STYLE HANDLES
- OPERATES WITH LESS THAN 5 LBS. OF FORCE

WATER-CONTROL MECHANISM

- CARTRIDGE
- CERAMIC DISC VALVES

REPLACEMENT PARTS AVAILABLE

FOR PARTS NOT LISTED CONTACT CUSTOMER SERVICE

REPLACEMENT PARTS	PVD SATIN NICKEL PART NUMBER	POLISHED CHROME PART NUMBER
1 - AERATOR	06-RP0494SN	06-RP0494
2 - CARTRIDGE "H"	06-RP0316H	06-RP0316H
3 - CARTRIDGE "C"	06-RP0316C	06-RP0316C
4 - POP-UP ASSEMBLY (WITHOUT LIFT ROD & KNOB)	06-RP0204SN	06-RP0204
5 - LIFT ROD & KNOB	06-RP0715SN	06-RP0715
6 - MOUNTING NUTS	06-RP0186	06-RP0186
7 - INDEXES	06-RP0722	06-RP0722
8 - SET SCREW	06-RP0721	06-RP0721
9 - PLASTIC COUPLING NUTS	06-RP0739	06-RP0739

FLOW

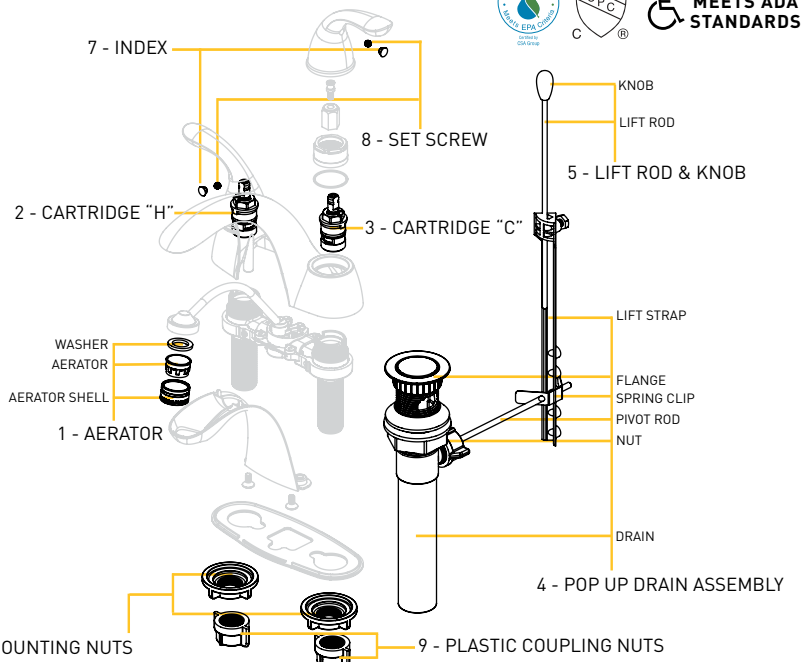
- AERATOR LIMITS MAXIMUM FLOW RATE TO 1.5 GPM MAX. (5.7 L/MIN.) @ 60 PS

CODES/STANDARDS APPLICABLE

- cUPC
- ASME A112.18.1
- ANSI/NSF 61/9
- LOW LEAD COMPLIANT

GUARANTEE

- LIMITED LIFETIME GUARANTEE AGAINST DEFECTS IN MATERIAL AND WORKMANSHIP TO ORIGINAL CONSUMER PURCHASER
- 5 YEAR WARRANTY IF USED IN INDUSTRIAL, COMMERCIAL AND BUSINESS INSTALLATIONS



DESCRIPTION	PVD SATIN NICKEL	POLISHED CHROME	CASE QTY.
TWO LEVER HANDLE BATHROOM FAUCET WITH HOT & COLD HANDLE INSERTS	06-4682PSN	06-4682P	6