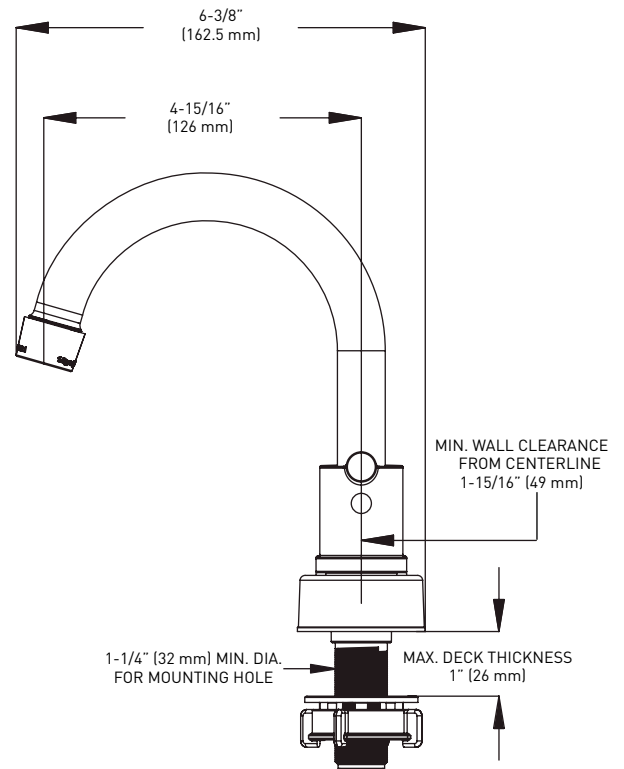
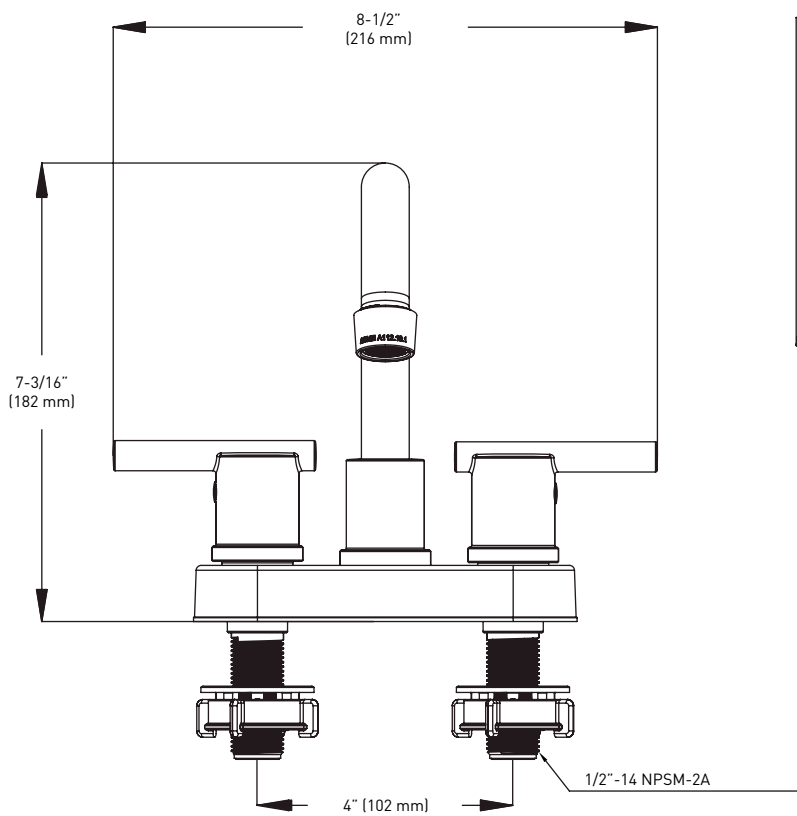


### FEATURES

- › TWO LEVER HANDLES OFFER SEPARATE CONTROL OF HOT AND COLD WATER
- › SPOUT SWIVELS TO ALLOW FOR UNOBSTRUCTED USE OF THE SINK
- › CERAMIC DISC CARTRIDGE ENSURES DURABILITY AND LONG-LASTING PERFORMANCE
- › INCLUDES PUSH POP-UP DRAIN ASSEMBLY
- › RED/BLUE INDEXING ON HANDLES
- › MAXIMUM FLOW RATE OF 1.5 GPM (5.7 LPM) AT 60 PSI



### MATERIAL

- › PREMIUM METAL CONSTRUCTION
- › HYBRID VALVE BODY

### INSTALLATION

- › DECK-MOUNT INSTALLATION FOR 4" CENTERS

### CODES/STANDARDS

- › MEETS OR EXCEEDS ASME A112.18.1/CSA B125.1
- › CERTIFICATIONS: cUPC, EPA WaterSense
- › CODE COMPLIANCE: ANSI/NSF 372, ADA



RETAIL PACK

TWO HANDLE 4" CENTER-SET LAVATORY FAUCET

POLISHED CHROME 26

06-3332P

CASE QTY

6

MEASUREMENTS SUBJECT TO A 3% VARIANCE

MEASUREMENTS ARE FOR REFERENCE ONLY. TAYMOR RESERVES THE RIGHT TO CHANGE THE PRODUCT SPECS WITHOUT NOTICE. FOR PRODUCT WARRANTY, PLEASE VISIT TAYMOR WEBSITE FOR DETAILS