

FEATURES

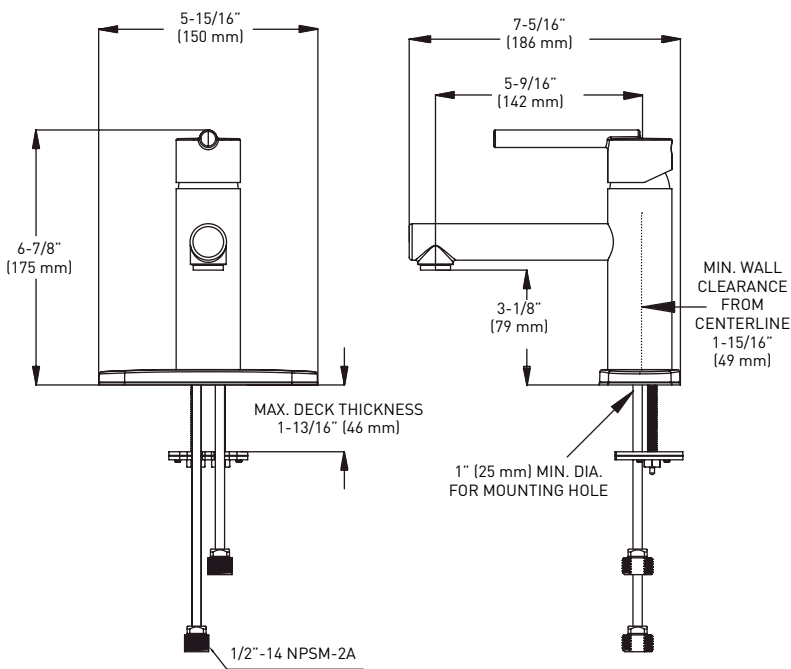
- › SINGLE LEVER HANDLE FOR EASY TEMPERATURE AND FLOW CONTROL
- › CERAMIC DISC CARTRIDGE ENSURES DURABILITY AND LONG-LASTING PERFORMANCE
- › INCLUDES PUSH POP-UP DRAIN ASSEMBLY
- › MAXIMUM FLOW RATE OF 1.5 GPM (5.7 LPM) AT 60 PSI



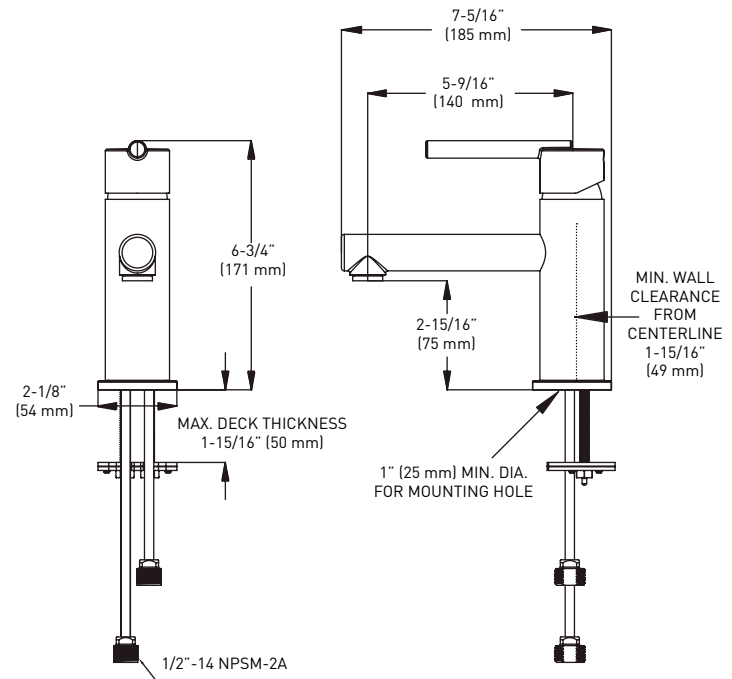
SHOWN WITH
ESCUTCHEON



WITH ESCUTCHEON PLATE



WITHOUT ESCUTCHEON PLATE



MATERIAL

- › PREMIUM METAL CONSTRUCTION

INSTALLATION

- › SINGLE HOLE INSTALLATION
- › OPTIONAL 4" ESCUTCHEON INCLUDED

CODES/STANDARDS

- › MEETS OR EXCEEDS ASME A112.18.1/CSA B125.1
- › CERTIFICATIONS: cUPC, EPA WaterSense
- › CODE COMPLIANCE: ANSI/NSF 372, ADA



RETAIL PACK

SINGLE HANDLE LAVATORY FAUCET

POLISHED CHROME 26

06-3331P

CASE QTY

6

MEASUREMENTS SUBJECT TO A 3% VARIANCE

MEASUREMENTS ARE FOR REFERENCE ONLY. TAYMOR RESERVES THE RIGHT TO CHANGE THE PRODUCT SPECS WITHOUT NOTICE. FOR PRODUCT WARRANTY, PLEASE VISIT TAYMOR WEBSITE FOR DETAILS