

FEATURES

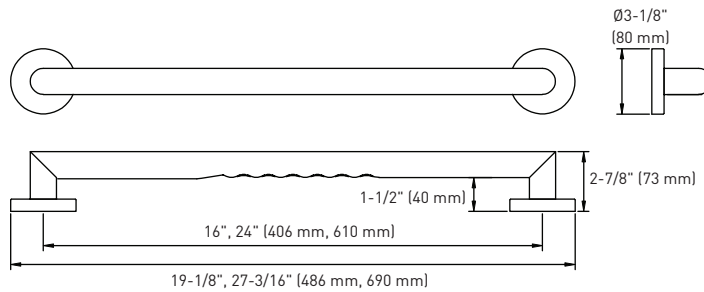
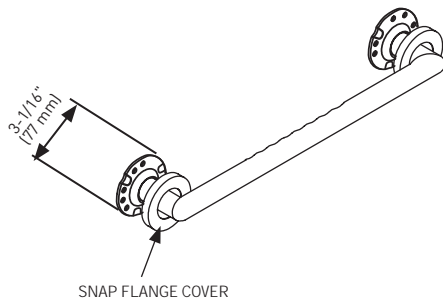
- › STAINLESS STEEL CONSTRUCTION
- › 1-1/4" O.D. (31.75 mm)
- › ERGONOMIC, NON-SLIP FINGER GRIP
- › ADA COMPLIANT
- › CONCEALED MOUNT
- › MAXIMUM WEIGHT LOAD 300 LBS (136 KG)
- › MOUNTING HARDWARE INCLUDED
- › IN COMPLIANCE WITH ANSI 117.1



MEETS ADA STANDARDS 



LIFETIME WARRANTY



RETAIL PACK	POLISHED STAINLESS STEEL 32	CASE QTY.
16" ASTRAL GRAB BAR	03-6916PSS	3
24" ASTRAL GRAB BAR	03-6924PSS	3

MEASUREMENTS SUBJECT TO A 3% VARIANCE

MEASUREMENTS ARE FOR REFERENCE ONLY. TAYMOR RESERVES THE RIGHT TO CHANGE THE PRODUCT SPECS WITHOUT NOTICE. FOR PRODUCT WARRANTY, PLEASE VISIT TAYMOR WEBSITE FOR DETAILS

