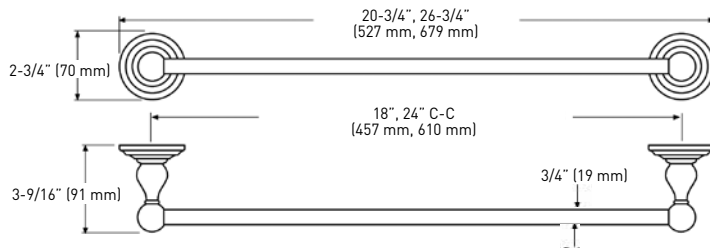


FEATURES

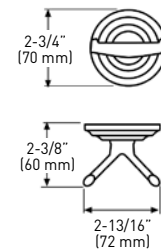
- › INCLUDES STEEL MOUNTING PLATES: 2-3/16" x 1" [55 mm x 25 mm]; NYLON ANCHORS AND STEEL PHILLIPS HEAD SCREWS: #8 x 1" [26 mm]
- › ZINC DIE-CAST CONSTRUCTION (POSTS)



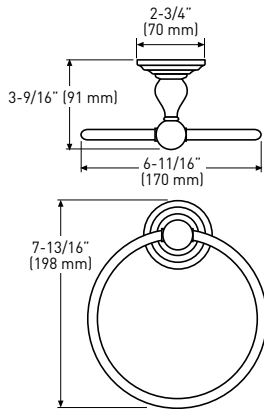
TOWEL BAR



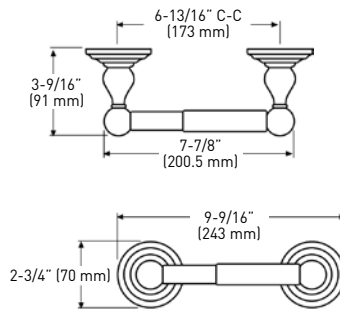
DOUBLE ROBE HOOK



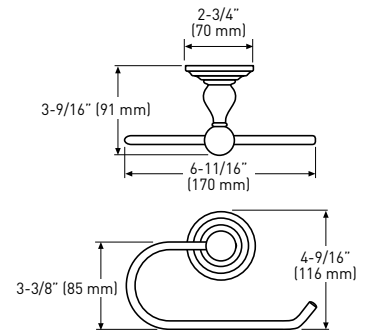
TOWEL RING



STANDARD PAPER HOLDER



PAPER HOLDER/TOWEL HOLDER



MEASUREMENTS SUBJECT TO A 3% VARIANCE

MEASUREMENTS ARE FOR REFERENCE ONLY. TAYMOR RESERVES THE RIGHT TO CHANGE THE PRODUCT SPECS WITHOUT NOTICE. FOR PRODUCT WARRANTY, PLEASE VISIT TAYMOR WEBSITE FOR DETAILS

RETAIL PACK	OIL RUBBED BRONZE 10B	MATERIAL	CASE QTY.
TOWEL BAR - 18"	02-D6218BRN	ZINC & ALUMINUM	4
TOWEL BAR - 24"	02-D6224BRN	ZINC & ALUMINUM	4
DOUBLE ROBE HOOK	02-D6202BRN	ZINC	4
STANDARD PAPER HOLDER	02-D6208BRN	ZINC & PLASTIC	4
PAPER HOLDER/TOWEL HOLDER	02-D6248BRN	ZINC	4
TOWEL RING	02-D6204BRN	ZINC & ALUMINUM	4

