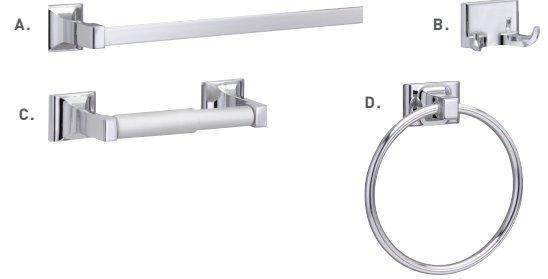
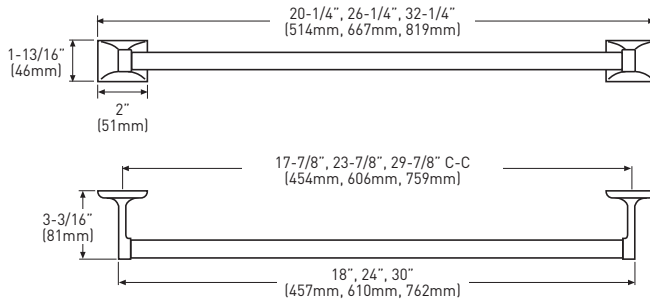


FEATURES

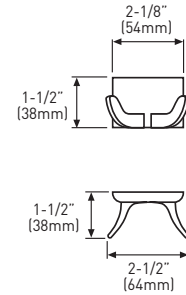
- › INCLUDES STEEL PHILLIPS HEAD SCREWS: #8 x 1-1/4" (32 mm)
- › ZINC DIE-CAST CONSTRUCTION (POSTS)



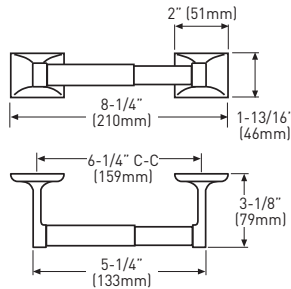
TOWEL BAR



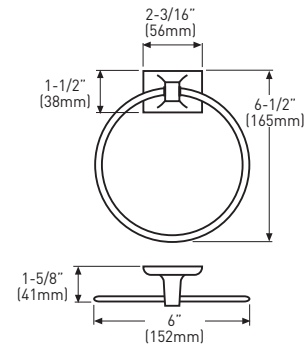
DOUBLE ROBE HOOK



STANDARD PAPER HOLDER



TOWEL RING



MEASUREMENTS SUBJECT TO A 3% VARIANCE

MEASUREMENTS ARE FOR REFERENCE ONLY. TAYMOR RESERVES THE RIGHT TO CHANGE THE PRODUCT SPECS WITHOUT NOTICE. FOR PRODUCT WARRANTY, PLEASE VISIT TAYMOR WEBSITE FOR DETAILS

| BUILDER PACK | POLISHED CHROME 26 | MATERIAL | CASE QTY. |
|---------------------|--------------------|----------------------|-----------|
| A. TOWEL BAR - 18" | 01-940018 | ZINC/STAINLESS STEEL | 50 |
| TOWEL BAR - 24" | 01-940024 | ZINC/STAINLESS STEEL | 50 |
| TOWEL BAR - 30" | 01-940030 | ZINC/STAINLESS STEEL | 50 |
| B. DOUBLE ROBE HOOK | 01-9402 | ZINC | 50 |
| C. PAPER HOLDER | 01-9408 | ZINC/PLASTIC | 50 |
| D. TOWEL RING | 01-9404 | ZINC/ALUMINUM | 50 |