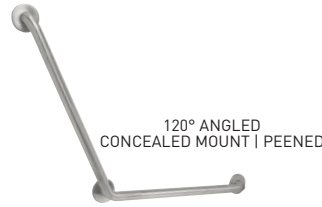


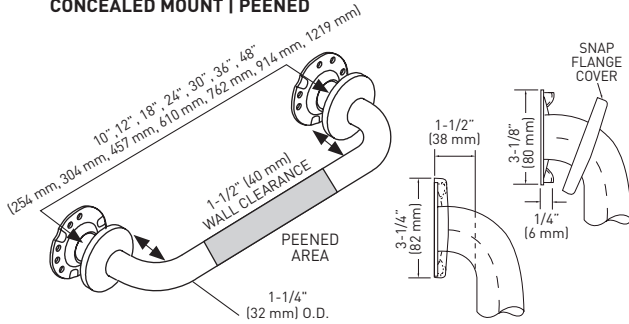
Grab Bars - Concealed Mount MEETS ADA STANDARDS

FEATURES

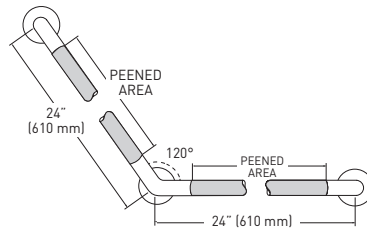
- › 304 STAINLESS STEEL CONSTRUCTION
- › 18 GAUGE BAR TUBE
- › 14 GAUGE FLANGE WITH FULL 360° BEAD WELD
- › MAXIMUM WEIGHT LOAD 250-300 lbs (113-136 kg)
- › MOUNTING HARDWARE INCLUDED
- › IN COMPLIANCE WITH ANSI 117.1 & CSA-B651



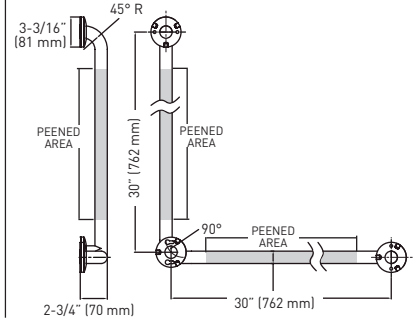
CONCEALED MOUNT | PEENED



120° ANGLED CONCEALED MOUNT | PEENED



90° ANGLED CONCEALED MOUNT | PEENED



MEETS ADA STANDARDS 

RETAIL PACK
CONCEALED MOUNT | PEENED
 SATIN STAINLESS STEEL 32D

CASE QTY.

BUILDER PACK
CONCEALED MOUNT | PEENED
 SATIN STAINLESS STEEL 32D

CASE QTY.

12" GRAB BAR (304 mm) - 1-1/4" (32 mm) O.D.	03-TC220012	3	01-TC220012	5
16" GRAB BAR (406 mm) - 1-1/4" (32 mm) O.D.	03-TC220016	3	-	
18" GRAB BAR (457 mm) - 1-1/4" (32 mm) O.D.	-		01-TC220018	5
24" GRAB BAR (610 mm) - 1-1/4" (32 mm) O.D.	03-TC220024	3	01-TC220024	5
30" GRAB BAR (762 mm) - 1-1/4" (32 mm) O.D.	-		01-TC220030	5
36" GRAB BAR (914 mm) - 1-1/4" (32 mm) O.D.	-		01-TC220036	5
48" GRAB BAR (1219 mm) - 1-1/4" (32 mm) O.D.	-		01-TC220048	5
120° ANGLED GRAB BAR 24" x 24" (610 mm x 610 mm) - 1-1/4" (32 mm) O.D.	-		01-TC22120	5
90° ANGLED GRAB BAR 30" x 30" (762 mm x 762 mm) - 1-1/4" (32 mm) O.D.	-		01-TC323030	5

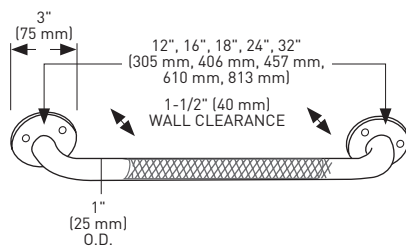
Grab Bars - Exposed Mount

FEATURES

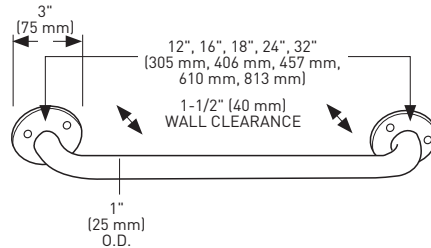
- › STAINLESS STEEL CONSTRUCTION
- › MAXIMUM WEIGHT LOAD 250 LBS (113 KG)
- › MOUNTING HARDWARE INCLUDED



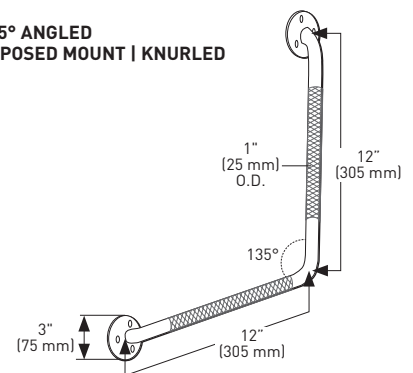
EXPOSED MOUNT | KNURLED



EXPOSED MOUNT | SMOOTH



135° ANGLED EXPOSED MOUNT | KNURLED



RETAIL PACK

EXPOSED MOUNT | KNURLED
 POLISHED STAINLESS STEEL 32

EXPOSED MOUNT | SMOOTH
 WHITE FINISH STAINLESS STEEL

CASE QTY.

12" GRAB BAR (304 mm) - 1" (25 mm) O.D.	03-4912		03-5912	10
16" GRAB BAR (406 mm) - 1" (25 mm) O.D.	03-4916		03-5916	10
18" GRAB BAR (457 mm) - 1" (25 mm) O.D.	03-4918		03-5918	10
24" GRAB BAR (610 mm) - 1" (25 mm) O.D.	03-4924		03-5924	10
32" GRAB BAR (812 mm) - 1" (25 mm) O.D.	03-4932		-	10
135° ANGLED GRAB BAR KNURLED 12" x 12" (304 mm x 304 mm) - 1" (25 mm) O.D.	03-4905		-	10

MEASUREMENTS SUBJECT TO A 3% VARIANCE

MEASUREMENTS ARE FOR REFERENCE ONLY. TAYMOR RESERVES THE RIGHT TO CHANGE THE PRODUCT SPECS WITHOUT NOTICE. FOR PRODUCT WARRANTY, PLEASE VISIT TAYMOR WEBSITE FOR DETAILS

© TAYMOR INDUSTRIES LTD. | SEPTEMBER 2022 | taymor.com
 CUSTOMER SERVICE WEST 1-800-267-4774 | EAST 1-800-387-7064

