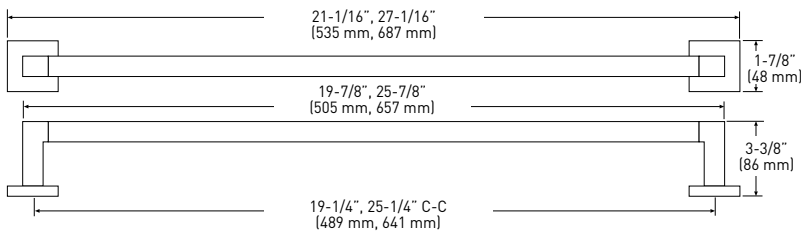


FEATURES

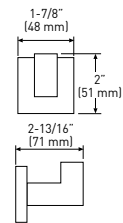
- › INCLUDES MOUNTING PLATES: 1-9/16" x 1-3/16" (40 mm x 30 mm); NYLON ANCHORS AND STEEL PHILLIPS HEAD SCREWS: #8 x 1-1/4" (32 mm)
- › SOLID ZINC DIE-CAST CONSTRUCTION (POSTS)



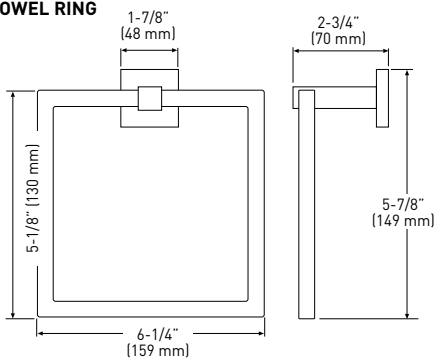
TOWEL BAR



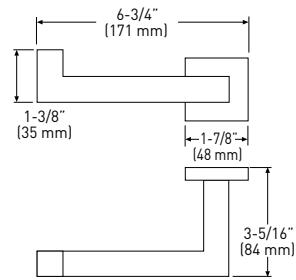
SINGLE ROBE HOOK



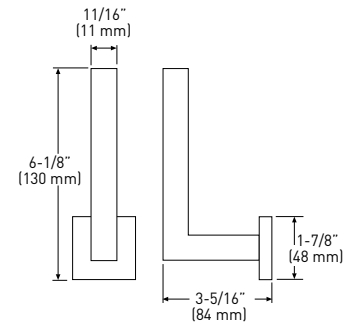
TOWEL RING



PAPER HOLDER



VERTICAL PAPER HOLDER



	MATERIAL	BUILDER PACK		RETAIL PACK		
		POLISHED CHROME 26	CASE QTY.	POLISHED CHROME 26	SATIN NICKEL 15	CASE QTY.
18" TOWEL BAR	ZINC/BRASS	04-2118	10	02-D2118	02-D2118SN	4
24" TOWEL BAR	ZINC/BRASS	04-2124	10	02-D2124	02-D2124SN	4
SINGLE ROBE HOOK	ZINC	04-2101	10	02-D2101	02-D2101SN	4
TOWEL RING	ZINC	04-2104	10	02-D2104	02-D2104SN	4
PAPER HOLDER	ZINC	04-2148	10	02-D2148	02-D2148SN	4
VERTICAL PAPER HOLDER	ZINC	04-2158	10	02-D2158	02-D2158SN	4

MEASUREMENTS SUBJECT TO A 3% VARIANCE

MEASUREMENTS ARE FOR REFERENCE ONLY. TAYMOR RESERVES THE RIGHT TO CHANGE THE PRODUCT SPECS WITHOUT NOTICE. FOR PRODUCT WARRANTY, PLEASE VISIT TAYMOR WEBSITE FOR DETAILS

