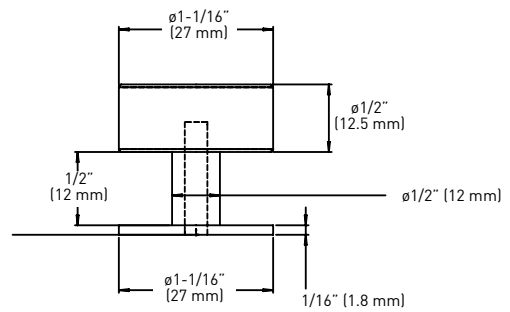


## CLOSET AND CABINET HARDWARE

### BARCELONA KNOB

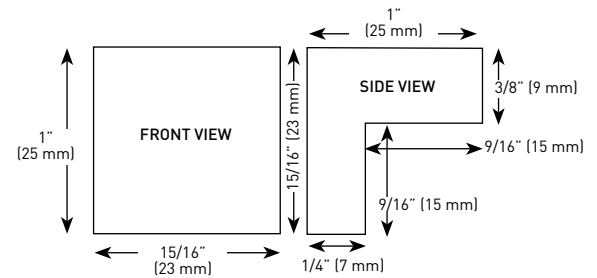
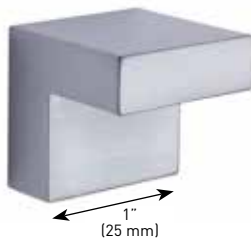
- › ZINC DIE-CAST CONSTRUCTION
- › 1-1/16" [27 mm] DIAMETER
- › INCLUDES 1-13/16" [46 mm] BREAK-OFF SCREW



POLY BAGGED WITH UPC	15 SATIN NICKEL	19 MATTE BLACK	26 POLISHED CHROME	26D SATIN CHROME	CASE PACK
1" [25 mm] DEEP	20-0810SN	20-0810BLK	20-0810PC	20-0810SC	20

### METRA KNOB

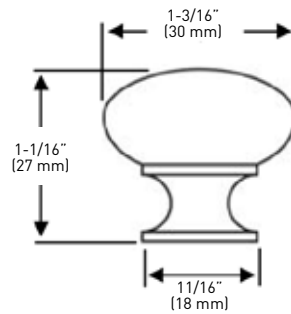
- › ZINC DIE-CAST CONSTRUCTION
- › 1" [25 mm] WIDTH
- › INCLUDES TWO 1-13/16" [46 mm] BREAK-OFF SCREWS



POLY BAGGED WITH UPC	15 SATIN NICKEL	19 MATTE BLACK	26 POLISHED CHROME	26D SATIN CHROME	CASE PACK
1" [25 mm] DEEP	20-0700SN	20-0700BLK	20-0700PC	20-0700SC	20

### CLASSIC KNOB

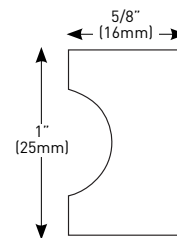
- › ZINC DIE-CAST CONSTRUCTION
- › 1-3/16" [30 mm] DIAMETER
- › INCLUDES 2" [51 mm] BREAK-OFF SCREW



POLY BAGGED WITH UPC	15 SATIN NICKEL	19 MATTE BLACK	26 POLISHED CHROME	26D SATIN CHROME	CASE PACK
1-1/16" [27 mm] DEEP	20-0388SN	20-0388BLK	20-0388CH	20-0388SC	25

### MODERN KNOB

- › ZINC DIE-CAST CONSTRUCTION
- › 5/8" [16 mm] DIAMETER
- › INCLUDES 1-7/8" [47 mm] BREAK-OFF SCREW



POLY BAGGED WITH UPC	15 SATIN NICKEL	19 MATTE BLACK	26 POLISHED CHROME	CASE PACK
1" [25 mm] DEEP	20-0380SN	20-0380BLK	20-0380PC	100

MEASUREMENTS SUBJECT TO A 3% VARIANCE

MEASUREMENTS ARE FOR REFERENCE ONLY. TAYMOR RESERVES THE RIGHT TO CHANGE THE PRODUCT SPECS WITHOUT NOTICE. FOR PRODUCT WARRANTY, PLEASE VISIT TAYMOR WEBSITE FOR DETAILS