

PARTS & ACCESSORIES
SPRING 2021

Taymor®

Escutcheon Plates

- > Decorative enhancement for entry door locks
- > Stainless steel material



BUILDER PACK	SATIN NICKEL 15	POLISHED CHROME 26	SATIN CHROME 26D
Square 2 holes – 10”H x 3”W (254 mm x 76 mm) Both holes 2-1/8” [54 mm] DIA., 6” [152 mm] C/C	33-SN602	33-PC602	33-SC602
Square 2 holes – 10”H x 3”W (254 mm x 76 mm) Both holes 2-1/8” [54 mm] DIA., 5-1/2” [140 mm] C/C	33-SN502	33-PC502	33-SC502

CASE QTY. 50

Latches



RESIDENTIAL	POLISHED BRASS 3	SATIN NICKEL 15	MATTE BLACK 19	POLISHED CHROME 26	SATIN STAINLESS STEEL 32D
The Premier Line					
D. 6-in-1 adjustable spring latch (privacy/passage)	—	—	33-BLK9082	—	33-SS9082
F. 6-in-1 adjustable deadbolt	—	—	33-BLK9084	—	33-SS9084
I. 6-in-1 fixed handleset spring latch for London	—	—	33-BLK1085	—	33-SS1085
Professional Series®					
A. 6-in-1 adjustable lever deadlatch (entry)	—	33-SN9086	33-BLK9086	33-PC9086	—
CROSS FLOW & PACE LINE ONLY					
B. 6-in-1 adjustable lever spring latch (privacy/passage)	—	33-SN9087	33-BLK9087	33-PC9087	—
CROSS FLOW & PACE LINE ONLY					
C. 6-in-1 adjustable knob deadlatch (entry)	33-PB9080	—	33-BLK9080	—	33-SS9080
C. 6-in-1 adjustable lever deadlatch (entry)	33-PB9083	—	33-BLK9083	—	33-SS9083
D. 6-in-1 adjustable knob spring latch (privacy/passage)	33-PB9081	—	33-BLK9081	—	33-SS9081
D. 6-in-1 adjustable lever spring latch (privacy/passage)	33-PB9082	—	33-BLK9082	—	33-SS9082
F. 6-in-1 adjustable deadbolt	33-PB9084	—	33-BLK9084	—	33-SS9084
G. 6-in-1 adjustable deadbolt	—	—	33-BLK9088	—	33-SS9088
FLUSH FACED DEADBOLT ONLY					
I. 6-in-1 fixed handleset spring latch	33-PB9085	—	33-BLK9085	—	33-SS9085
Builders Series/Proset® Series					
C. 6-in-1 adjustable lever/knob deadlatch (entry)	33-PB9080	—	33-BLK9080	—	33-SS9080
D. 6-in-1 adjustable lever/knob spring latch (privacy/passage)	33-PB9081	—	33-BLK9081	—	33-SS9081
F. 6-in-1 adjustable deadbolt latch	33-PB9084	—	33-BLK9084	—	33-SS9084
Other					
E. 5” (127 mm) backset square mortise deadlatch (entry)*	—	—	—	—	33-SS9098
H. 5” (127 mm) backset square mortise deadbolt latch*	—	—	—	—	33-SS9099

CASE QTY. 100 *COMPATIBLE WITH PROFESSIONAL® KNOBS AND BUILDERS SERIES LEVERS

Strikes



	POLISHED BRASS 3	AGED BRONZE 10B+	MATTE BLACK 19	POLISHED CHROME 26	SATIN STAINLESS STEEL 32D
A. Strike square corner full lip adjustable tab 1-3/4” x 2-1/4”	33-PB9102AT	33-ORB9102AT	—	—	33-SS9102AT
B. Strike 1/4” radius corner full lip 1-3/4” x 2-1/4”	34-PB9117	—	—	—	—
C. Strike 1/4” radius corner full lip adjustable tab 1-3/4” x 2-1/4”	—	—	33-BLK9103AT	—	33-SS9103AT
D. Extended lip strike 1/4” radius corner full lip adjustable tab 2-1/4” x 2-1/4”	—	—	33-BLK9105AT	33-PC9105AT	33-SS9105AT
E. Strike rectangle square corner deadbolt 1” x 2-1/4”	33-PB9112	—	—	—	—
F. Strike 1/4” radius corner deadbolt 1” x 2-1/4”	33-PB9113	—	—	—	—
G. Hi-security strike square corner 1-1/8” x 2-3/4” w/2 3” screws for deadbolt	34-9335	—	—	33-SS9335	—
H. Hi-security strike 1/4” radius corner 1-1/8” x 2-3/4” w/2 3” screws for deadbolt	33-9338	—	33-BLK9338	33-SS9338	—
I. *Strike T-type adjustable tab 1-1/8” x 2-3/4”	33-PB9101	33-ORB9101	—	—	33-SS9101
J. *ASA Strike 1-1/2” x 4-7/8” x 3/32”	34-PB9109	—	33-BLK9109	—	33-SS9109
K. *Strike rectangle square corner deadbolt 1-1/8” x 2-3/4”	33-PB9111	33-ORB9111	—	—	33-SS9111

*FOR USE WITH PREMIER LINE LEVERS. STEEL FRAMES MAY NEED TO BE PRE-TAPPED.



Screw Packs	POLISHED BRASS 3	AGED BRONZE 10B+	ANTIQUÉ NICKEL 17A	MATTE BLACK 19	BLACK	POLISHED CHROME 26	SATIN STAINLESS STEEL 32D
Latch/strike combination	—	33-ORB9406	—	—	—	—	—
Professional Series®	—	—	—	—	—	33-9431PC	—
Professional Series® (entry) CROSS FLOW & PACE LINE ONLY	—	—	—	33-9433BLK	—	—	33-9433SS
Professional Series® (privacy/passage) CROSS FLOW & PACE LINE ONLY	—	—	—	33-9434BLK	—	—	33-9434SS
The Premier Line	—	—	—	—	—	33-9441PC	—
London handleset	—	—	—	30-1023BLK	—	—	30-1023SSS
Single cylinder deadbolts	33-9423	33-9423ORB	—	—	—	—	33-9423SS
The Premier Line deadbolts	—	—	—	30-160BLK	—	—	30-160SSS
3" Wood Screws	—	—	—	39-9339BLK	—	39-9339AL	—

Miscellaneous

The Premier Line double dummy fastening kit	—	—	—	—	—	—	31-SSDDPREMIER
3" (76 mm) threaded bolt for double dummy	33-DDBOLT	—	—	—	—	—	—
Handleset concealed trim washer & plate	33-9342PB	33-9342BRN	33-9342AN	33-9342BLK	—	33-9342PC	33-9342SS
Deadbolt gasket	—	—	—	—	33-GASKETDB	—	—
Handleset gasket	—	—	—	—	33-GASKETGRIP	—	—
1" - 1-1/8" (25.4 mm - 30 mm) latch liner	33-PL118						—

Extension Kits

2-1/4" (57 mm) DOOR EXTENSION KITS	ASHFORD	FJORD	STRAIT	MADERA	LONDON	PREMIER LEVER
POLISHED BRASS 3	—	—	—	33-WIDMADPB	—	—
MATTE BLACK 19	33-WIDASHBLK	—	—	33-WIDMADBLK	—	—
POLISHED CHROME 26	33-WIDASHPC	33-WIDFJORDPC	33-WIDSTRPC	33-WIDMADPC	30-ACTUATOR	30-LEVEXT

Actuators

HANDLESET ACTUATORS	ASHFORD	FJORD	STRAIT	MADERA	LONDON
33-ACTUATORA	—	✓	—	—	—
33-ACTUATORB	✓	—	✓	✓	—
33-ACTUATORC	—	—	—	—	✓

Handleset Dummy Kits

PROFESSIONAL SERIES® DUMMY HANDLESET KIT	
AGED BRONZE 10B+	33-BL805ORB
SATIN NICKEL 15	33-BL805SN
ANTIQUÉ NICKEL 17A	33-BL805AN
MATTE BLACK 19	33-BL805BLK
POLISHED CHROME 26	33-BL805PC
SATIN CHROME 26D	33-BL805SC

THE PREMIER LINE DUMMY HANDLESET KIT	ROUND	SQUARE
AGED BRONZE 10+	30-BL1062BRN	30-BL1064BRN
SATIN NICKEL 15	30-BL1062SN	30-BL1064SN
MATTE BLACK 19	30-BL1062BLK	30-BL1064BLK
POLISHED CHROME 26	30-BL1062PC	30-BL1064PC
SATIN CHROME 26D	30-BL1062SC	30-BL1064SC

Deadbolt Trim Kits

THE PREMIER LINE & PROFESSIONAL SERIES® DEADBOLT INTERIOR TRIM KIT	SQUARE	ROUND
AGED BRONZE 10+	30-HDB1042BRN	30-HDB1044BRN
SATIN NICKEL 15	30-HDB1042SN	30-HDB1044SN
MATTE BLACK 19	30-HDB1042BLK	30-HDB1044BLK
POLISHED CHROME 26	30-HDB1042PC	30-HDB1044PC
SATIN CHROME 26D	30-HDB1042SC	30-HDB1044SC

SQUARE ROSE MUST BE ORDERED SEPARATELY FOR LEVER OR KNOB TRIM



Keying Services & Accessories

FIRE CAN		
Must be ordered with compatible lock		
Fire can - for 20 minute fire rating	33-FIRECAN	
KEYING OPTIONS		
Keyed alike	33-KA	
Keyed different	33-KD	
Master keying	33-MSTRKEY	
Construction keying	33-CONSKEY	
Construction/realtor keying	33-CONSKEY2	
Master/construction keying	33-MCKKEY	
Master/realtor/construction keying	33-MCKKEY2	
Grand master keying	33-GMSTRGMK	
Great grand master keying	33-GGMSTRMK	
KEY CUTTING CODES		
Cut great grand master key	33-KCGGMK	
Cut grand master key	33-KCGMK	
Cut master key	33-KCMK	
Stamp "DO NOT COPY" to be applied to all master keys	33-DNCKEY	
Cut construction key	33-KCCK	
Cut sales key	33-KCSA	
Cut deficiency key	33-KCDK	
Cut tenant access key	33-KCTA	
Cut service key	33-KCSER	
Cut amenity key	33-KCAM	
Cut bike locker key	33-KCBK	
Cut caretaker key	33-KCCT	
Cut key commercial retail unit	33-KCCRU	
Cut elevator key	33-KCEL	
Cut electrical key	33-KCELT	
Cut garbage key	33-KCGB	
Cut gas key	33-KCGA	
Cut homeowner keys (2 keys)	33-KCHK	
Cut janitor key	33-KCJA	
Cut mechanical key	33-KCME	
Cut storage/locker key	33-KCST	
Cut key use as generic tag with memo as to type	33-KC	
Key and/or cylinder face stamping	33-STAMP	
KEY BLANKS		
WR	5-PIN (WR5)	6-PIN (WR6)
Large Taymor key blank	33-KEYWR5	—
Silver	33-PB9201	—
SC	5-PIN (SC1)	6-PIN (SC4)
Large Taymor key blank	33-KEYSC1	33-KEYSC4
Silver	32-SCKB2	32-SC4
KEYING KITS		
	WR5	SC4
Keying kit contains assorted pins, springs, circlips & tools needed for servicing	33-KK9302	32-TMKIT

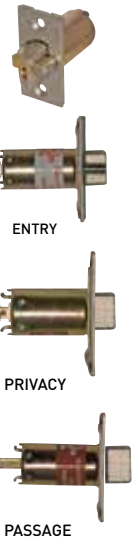
KEYING ACCESSORIES	WR5	SC4
Universal top pin	33-9820	—
Master middle pin #2	33-9802	32-9322
Master middle pin #3	33-9803	32-9323
Master middle pin #4	33-9804	32-9324
Master middle pin #5	33-9805	32-9325
Master middle pin #6	33-9806	32-9326
Master middle pin #7	33-9807	32-9327
Master middle pin #8	33-9808	32-9328
Bottom pin #0	33-9810	32-9310
Bottom pin #1	33-9811	32-9311
Bottom pin #2	33-9812	32-9312
Bottom pin #3	33-9813	32-9313
Bottom pin #4	33-9814	32-9314
Bottom pin #5	33-9815	32-9315
Bottom pin #6	33-9816	32-9316
Bottom pin #7	33-9817	32-9317
Bottom pin #8	33-9818	32-9318
Bottom pin #9	33-9819	32-9319
C.K. ball bearing (construction key)	33-9330	—
Lockset plug clip	33-9351	—
Plug follower	33-9371	—
Clip remover	33-9381	—
Tumbler spring	33-9341	—
Cylinder cap tool 14 tooth - for SC keyways	33-9375	—
Cylinder cap tool 12 tooth - for WR keyways	33-9375W	—
Universal Cylinder cap tool	33-9375ALL	33-9375ALL





Keying & Accessories

		SATIN CHROME 26D	SATIN STAINLESS STEEL 32D
EXTENSION LINK FOR GRADE 2 - 3 HOUR FIRE RATED LOCKS & LEVERS			
35mm - for 3-3/4" (95 mm) backset Citadel & York trim	32-LE3595	—	—
57mm - for 5" (127 mm) backset Citadel & York trim	32-LE57127	—	—
57mm - for 5" (127 mm) backset Duke trim	32-LE127	—	—
KEYING KIT for "C" series locksets	32-TMKIT	—	—
KEY BLANK			
5 pin SC1 keyway	32-SCKB2	—	—
6 pin SC4 keyway	32-SC4	—	—
KEYING ACCESSORIES			
Master middle pin #2*	32-9322	—	—
Master middle pin #3*	32-9323	—	—
Master middle pin #4*	32-9324	—	—
Master middle pin #5*	32-9325	—	—
Master middle pin #6*	32-9326	—	—
Master middle pin #7*	32-9327	—	—
Master middle pin #8*	32-9328	—	—
Bottom pin #0*	32-9310	—	—
Bottom pin #1*	32-9311	—	—
Bottom pin #2*	32-9312	—	—
Bottom pin #3*	32-9313	—	—
Bottom pin #4*	32-9314	—	—
Bottom pin #5*	32-9315	—	—
Bottom pin #6*	32-9316	—	—
Bottom pin #7*	32-9317	—	—
Bottom pin #8*	32-9318	—	—
Bottom pin #9*	32-9319	—	—
Plug follower - SC4	33-9371	—	—
*BAGS OF 100			



Latches

3/4" (19 mm) BACKSET LATCHES FOR KNIGHT, YORK & CITADEL			
Grade 1 - c-UL rated - 3/4" (19 mm) projection, 1-1/8" x 2-1/4" (28 mm x 57 mm) latch face (Required for fire rated double doors)	—	—	32-SSDBLDRDLATCH
LATCHES FOR YORK & CITADEL			
2-3/4" (70 mm) entry/keyed model 1-1/8" x 2-1/4" (28 mm x 57 mm) latch face, non-kick off	—	—	32-SS9060
2-3/8" (60mm) entry/keyed model 1" x 2-1/4" (25 mm x 57 mm) latch face, non-kick off	—	—	32-SS9061
2-3/8" (60mm) for privacy models 1" x 2-1/4" (25 mm x 57 mm) latch face, kick off	—	—	32-SS9064
2-3/4" (70mm) for passage models 1-1/8" x 2-1/4" (28 mm x 57 mm) latch face, non-kick off	—	—	32-SS9065
2-3/8" (60mm) for passage models 1" x 2-1/4" (25 mm x 57 mm) latch face, non-kick off	—	—	32-SS9066
LATCHES FOR KNIGHT			
2-3/8" (60 mm) backset entry/keyed model 1" x 2-1/4" (25 mm x 57 mm) latch face, non-kick off	—	—	32-SS9067
2-3/8" (60 mm) backset privacy/keyed model 1" x 2-1/4" (25 mm x 57 mm) latch face, non-kick off	—	—	32-SS9068
2-3/8" (60 mm) backset passage/keyed model 1" x 2-1/4" (25 mm x 57 mm) latch face, non-kick off	—	—	32-SS9069
LATCHES FOR DUKE & EXCALIBUR			
2-3/8" (60 mm) entry/keyed model 1" x 2-1/4" (25 mm x 57 mm) latch face, non-kick off	—	32-ELR79	—
2-3/4" (70 mm) for privacy/passage models 1-1/8" x 2-1/4" (28 mm x 57 mm) latch face, kick off	—	32-PLR794	—
2-3/8" (60 mm) for privacy/passage models 1" x 2-1/4" (25 mm x 57 mm) latch face, kick off	—	32-PLR79	—
LATCHES FOR DEADBOLTS (UL/c-UL 3 hour)			
2-3/8" square mortise latch (for grade 1 deadbolts)	—	32-DBT80	—
2-3/4" square mortise latch (for grade 1 deadbolts)	—	32-DBT804	—
2-in-1 square mortise latch (for grade 2 single cylinder deadbolts)	—	33-SS3HRDBLT	—



Set Screws & Backplates


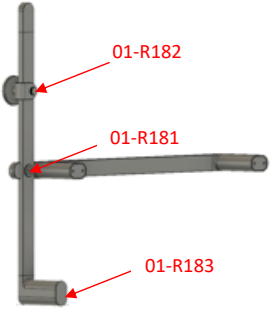


	SET SCREW	SIZE (mm)	BACKPLATE	SIZE (mm)
1948 Round	01-R051	5 x 12	01-R115	43 x 30
1948 Square	01-R085	5 x 11	01-R32802	22 x 22.8
1948 Square Paper Holder	01-R085	5 x 11	01-R32801	36.7 x 29.3
Allusion	01-R059	5 x 13	01-R093	40 x 30
Arc Deco	01-R089	5 x 10	01-R081	31 x 25
Arc Deco Robe Hook	01-R751	5 x 8	01-R080	21 x 51 x 6
Arctic Fox	01-R318	5 x 12	01-R082	35 x 26
Astral	01-R089	5 x 10	01-R065	30 x 30
Astral Paper Holder	01-R089	5 x 10	01-R066	37 x 35.7 x 6
Bitter Suite	01-R051	5 x 12	01-R115	43 x 30
Bitter Suite Double Towel Ring	01-R751	5 x 8	01-R32901	42.5 x 9
Brentwood	01-R087	5 x 9	01-R880	55.3 x 25
Dual Harmony	01-R751	5 x 8	01-R180	34 x 21
Dual Harmony Paper Holder	01-R089	5 x 10	01-R185	130 x 23
Electra	01-R089	5 x 10	01-R093	40 x 30
Electra Paper Holder	01-R051	5 x 12	01-R015	40 x 40 x 6
Embrace	01-R087	5 x 9	01-R750	36 x 24
Florence	01-R751	5 x 8	01-R770	45.8 x 30
Infinity	01-R317	5 x 8	01-R095	45.5 x 25
Lund	01-R087	5 x 9	01-R770	45.8 x 30
Minimaliste	01-R089	5 x 10	01-R065	30 x 30
Northern Lights	01-R318	5 x 12	01-R083	34 x 6.5
Naples	01-R086	5 x 7	01-R065	30 x 30
Naples Paper Holder	01-R087	5 x 9	01-R019	32.8 x 32.8 x 6
Odyssey	01-R087	5 x 9	01-R077	35 x 30
Orion	01-R751	5 x 8	01-R880	55.2 x 25
Pure Poetry	01-R089	5 x 10	01-R093	40 x 30
Qube	01-R085	5 x 11	01-R093	40 x 30
Robson	01-R317	5 x 8	01-R075	39 x 39 x7
Slip Stream	01-R089	5 x 10	01-R33401	31 x 21
Sophia	01-R751	5 x 8	01-R069	33 x 23
Sunglow Towel Bar/Paper Holder	01-R116	4 x 12	01-R115	43 x 30
Sunglow Robe Hook	01-R024	4 x 9	01-R115	43 x 30
Sunglow Towel Ring*	01-R027	4 x 8	01-R115	43 x 30
Suite and Simple	01-R051	5 x 12	01-R32801	36.7 x 29.3
Suite and Simple Double Towel Ring	01-R751	5 x 8	01-R32901	42.5 x 9
Spellbound	01-R325	5 x 10	01-R078	50.4 x 31.5 x 6.5
Ultra	01-R317	5 x 8	01-R067	30 x 30
Wave**	N/A	N/A	01-R047	27 x 15 x 10.9
Yates	01-R318	5 x 12	01-R068	46 x 30.4 x 6.6

*ALSO APPLIES TO: SOAP DISH, TOOTHBRUSH & TUMBLER HOLDER
 **EZ ANCHOR AND SET SCREWS INCLUDED WITH BACKPLATE

Bath Hardware Components

Plastic Spring Roller - polished chrome 26 (visual pack)	02-DR100	
Plastic Spring Roller - polished chrome 26	01-R100	
Plastic Spring Roller (5 pack) - white	01-R1015PK	
Plastic Spring Roller - white	01-R111W	
Clear Lucite Towel Ring	01-R114	
24" Towel Shelf (Backplate)	01-RSPK1049	for European towel shelf - 01-1049
24" Towel Shelf (Screw Pack)	01-RSPK1044	for towel shelves - 01-1043, 01-1044 & 01-1045

Dual Harmony replacement parts

<p>01-R182/01-R182BLK</p> 		<p>Crown screw - Hook</p> <p>For Dual Harmony Modular hook 04-18001/04-18001BLK</p>
<p>01-R181 / 01-R181BLK</p> 		<p>Assembly Screw - Vertical/Horizontal Joint</p> <p>For Dual Harmony Towel bar: 04-18016L / 04-18016LBLK 04-18016R / 04-18016RBLK 04-18022L / 04-18022LBLK 04-18022R / 04-18022RBLK</p>
<p>01-R183</p> 		<p>Bumper- Towel Bar Post</p> <p>For Dual Harmony Towel bar: 04-18016L / 04-18016LBLK 04-18016R / 04-18016RBLK 04-18022L / 04-18022LBLK 04-18022R / 04-18022RBLK</p>