

SPECIFICATIONS

- PUSH BUTTON AUTO-RELEASE ON PRIVACY AND KEYED ENTRY FUNCTION
- UNIVERSAL 6-IN-1 LATCH OFFERS A GUARANTEED FIT
- INCLUDES ANTI-PRY COLLAR FOR REINFORCED SECURITY
- 45° LATCH RETRACTION
- PREMIUM ALL METAL CONSTRUCTION
- INCLUDES 1-3/4" X 2-1/4" FULL LIP RADIUS CORNER "D" STRIKE STANDARD
- FITS STANDARD DOORS



GRADE
3

ANSI GRADE 3



LIMITED LIFETIME MECHANICAL & 5 YEAR FINISH WARRANTY

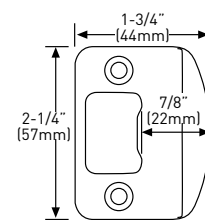
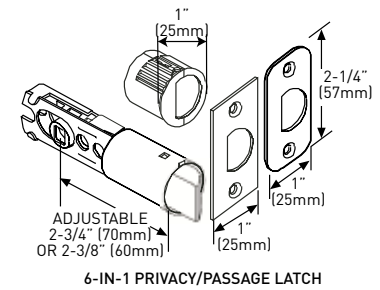
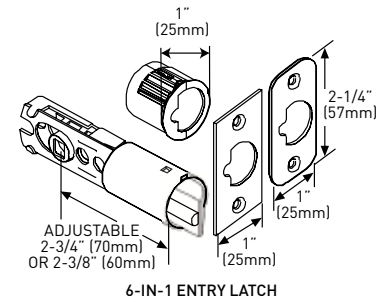
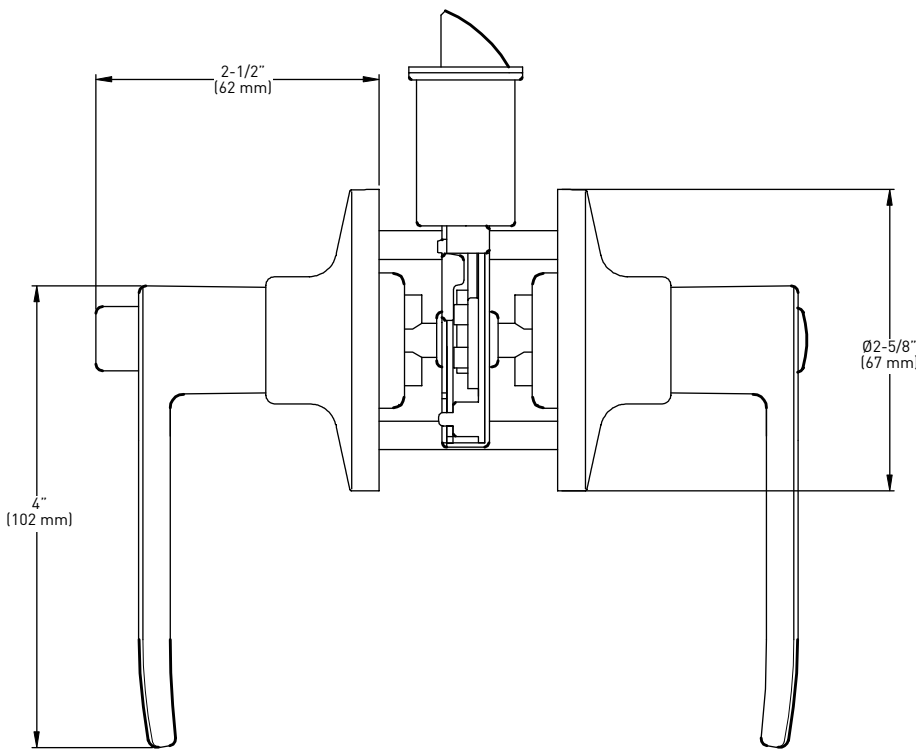


FULL KEYING SERVICES AVAILABLE
WR5 KEYWAY, PACKAGED IN KEYED DIFFERENT (KD)
OR KEYED ALIKE (KA)

20 MINUTE
OPTIONAL
FIRE RATING

REVERSIBLE

MEETS ADA
STANDARDS



FULL LIP RADIUS STRIKE

MEASUREMENTS SUBJECT TO A 3% VARIANCE

MEASUREMENTS ARE FOR REFERENCE ONLY. TAYMOR RESERVES THE RIGHT TO CHANGE THE PRODUCT SPECS WITHOUT NOTICE. FOR PRODUCT WARRANTY, PLEASE VISIT TAYMOR WEBSITE FOR DETAILS

HAMPTON

BUILDER PACK	ENTRY - KA	PRIVACY	PASSAGE	INSIDE TRIM	DUMMY
SATIN CHROME 26D	33-D7664AR	33-D7624AR	33-D7634	33-HL76	33-764
SATIN STAINLESS STEEL 32D	33-D7464AR	33-D7424AR	33-D7434	33-HL73	33-744
CASE QTY. 20					
RETAIL PACK					
SATIN CHROME 26D	34-FV7664AR	34-FV7624AR	34-FV7634	—	—
CASE QTY. 4					

