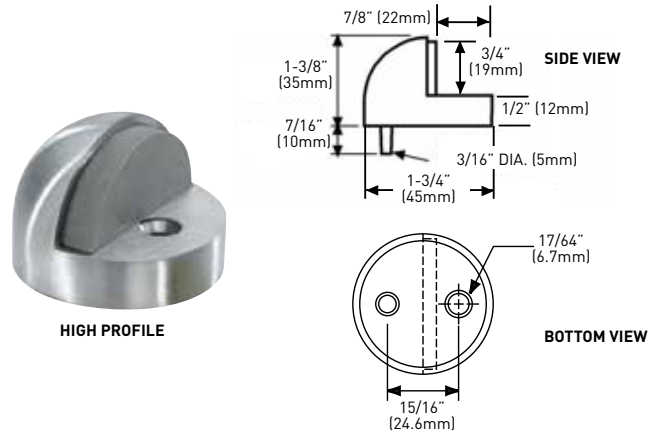
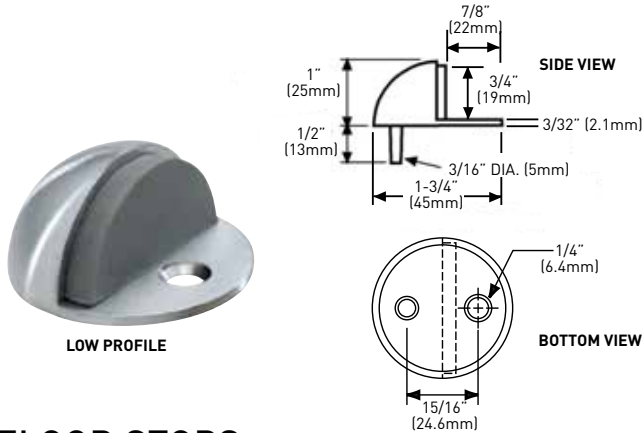


## ARCHITECTURAL DOOR STOPS



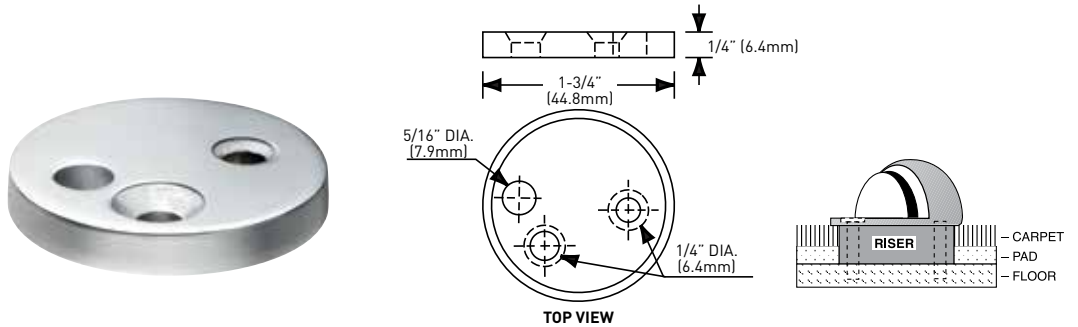
## FLOOR STOPS

- › COMPLETE WITH SCREW & EXPANSION SHIELD
- › ZINC DIE-CAST CONSTRUCTION
- › RUBBER BUMPERS

| POLY BAGGED WITH UPC | 15<br>SATIN NICKEL | 26D<br>SATIN CHROME | CASE<br>PACK |
|----------------------|--------------------|---------------------|--------------|
| LOW PROFILE          | 25-4609DN          | 25-4609DC           | 10           |
| HIGH PROFILE         | 25-4610DN          | 25-4610DC           | 10           |

## ARCHITECTURAL RISER

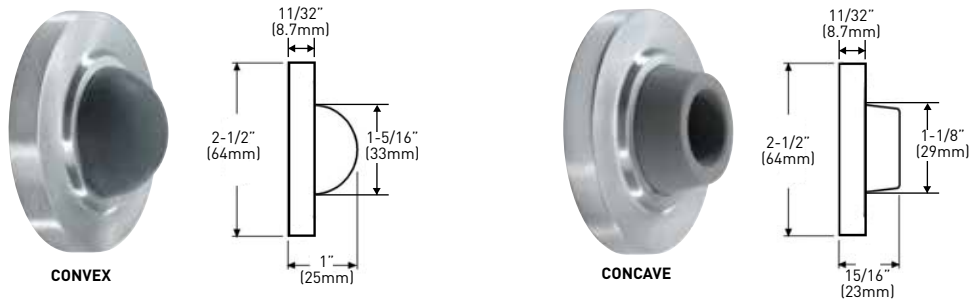
- › RISER FOR 25-4609 & 25-4610
- › COMPLETE WITH SCREW & EXPANSION SHIELD
- › ZINC DIE-CAST CONSTRUCTION



| POLY BAGGED WITH UPC | ALUMINUM  | CASE<br>PACK |
|----------------------|-----------|--------------|
| ARCHITECTURAL RISER  | 25-4608AL | 100          |

## WALL STOPS

- › COMPLETE WITH SCREW & EXPANSION SHIELD
- › ZINC DIE-CAST CONSTRUCTION
- › RUBBER BUMPERS



| POLY BAGGED WITH UPC | 15<br>SATIN NICKEL | 26D<br>SATIN CHROME | CASE<br>PACK |
|----------------------|--------------------|---------------------|--------------|
| CONVEX               | -                  | 25-4611DC           | 10           |
| CONCAVE              | 25-4612DN          | 25-4612DC           | 10           |