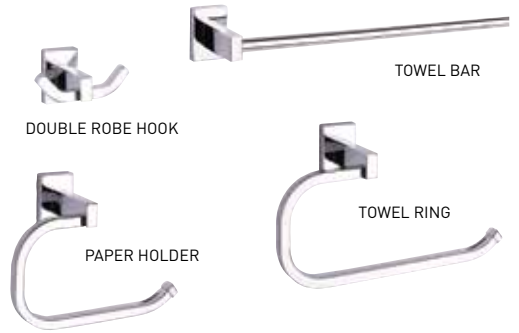
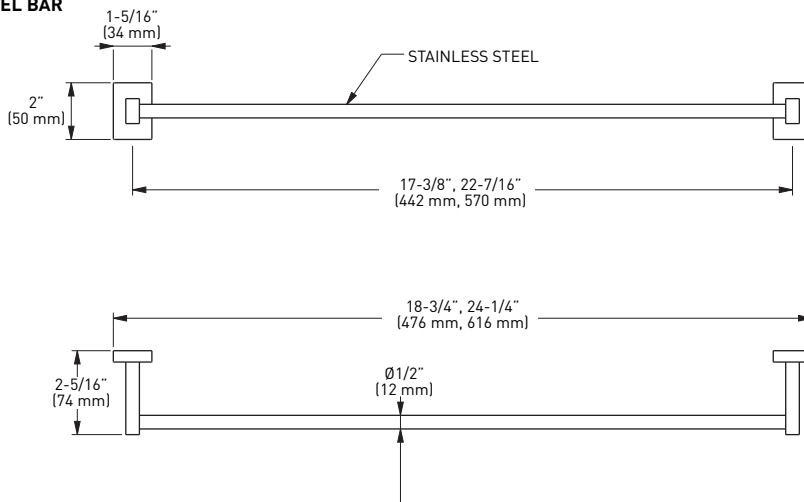


FEATURES

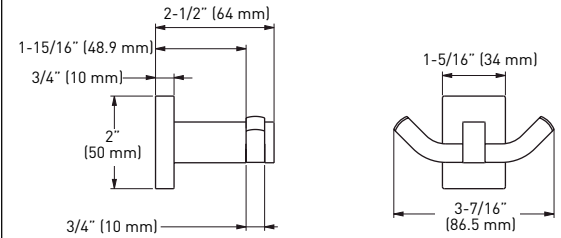
- INCLUDES MOUNTING PLATES: 1" x 1-3/8" (26 mm x 35 mm); NYLON ANCHORS AND STEEL PHILLIPS HEAD SCREWS: #8 x 1-3/8" (35 mm)
- SOLID ZINC DIE-CAST CONSTRUCTION (POSTS)



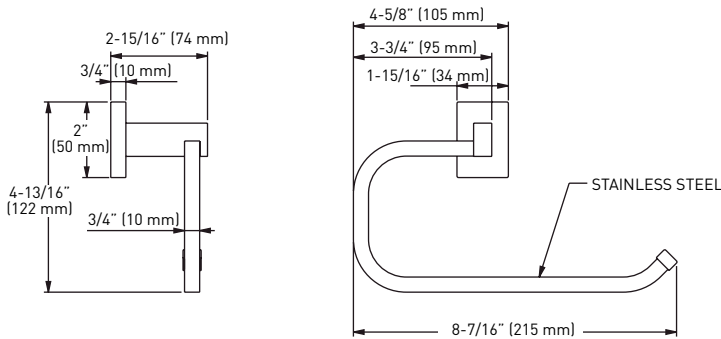
TOWEL BAR



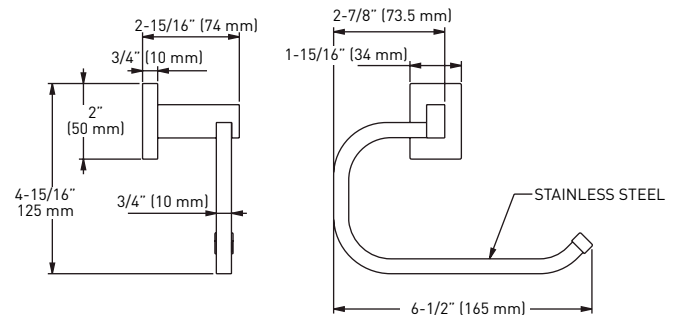
DOUBLE ROBE HOOK



TOWEL RING



PAPER HOLDER



MEASUREMENTS SUBJECT TO A 3% VARIANCE

MEASUREMENTS ARE FOR REFERENCE ONLY. TAYMOR RESERVES THE RIGHT TO CHANGE THE PRODUCT SPECS WITHOUT NOTICE. FOR PRODUCT WARRANTY, PLEASE VISIT TAYMOR WEBSITE FOR DETAILS

RETAIL PACK	SATIN NICKEL 15	POLISHED CHROME 26	MATERIAL	CASE PACK
18" TOWEL BAR	02-D33218SN	02-D33218	ZINC/STAINLESS STEEL	4
24" TOWEL BAR	02-D33224SN	02-D33224	ZINC/STAINLESS STEEL	4
DOUBLE ROBE HOOK	02-D33202SN	02-D33202	ZINC	4
TOWEL RING	02-D33204SN	02-D33204	ZINC/STAINLESS STEEL	4
PAPER HOLDER	02-D33248SN	02-D33248	ZINC/STAINLESS STEEL	4

